



How To.

INSTALLATION GUIDE


EDGE 160 MITRING GUIDE

This document provides templates and instructions to assist in mitring Stratco Edge 160 Gutter for 90° corners. The internal & external templates provided within this document can act as a guide to generate the 45° mitred cuts required for joining gutters at 90°.

It must be noted that the dimensions of the gutters provided may vary slightly from the templates. It is always best practice to measure-out a 45° mitre rather than relying on templates.

NOTE: Ensure templates are printed at 1:1 (A3 single page spread preferred).

TOOLS REQUIRED

Safety Glasses 	Gloves 	Marker 	Tin Snips 	Drill 
Ø3.2mm Drill Bit 	Rivet Gun 	Rivets 	Silicone Gun 	Silicon 

STRATCO EDGE 160 GUTTER

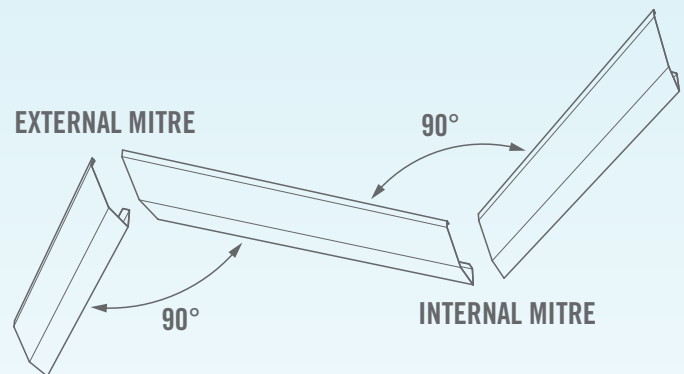
GUTTER MITRING GUIDE



EDGE 160 CORNER ASSEMBLY

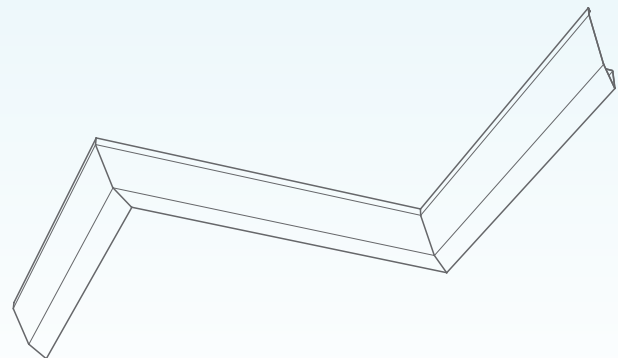
STEP 1

Lengths of pre-mitred gutter to be fit in-place either under patio roofing overhang, or into fascia clips.



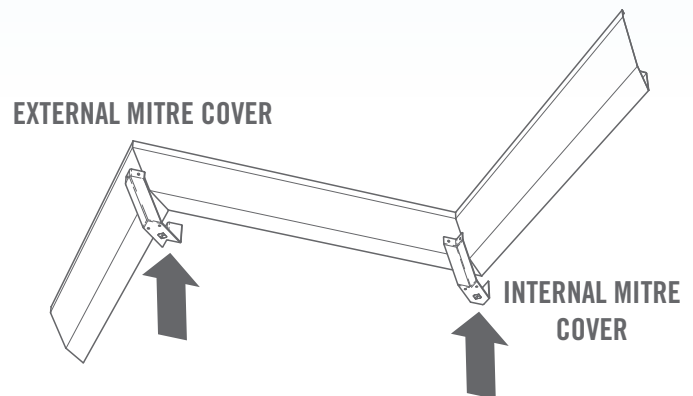
STEP 2

Gutter faces must be aligned.
A small gap is permitted between mitred edges.



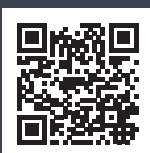
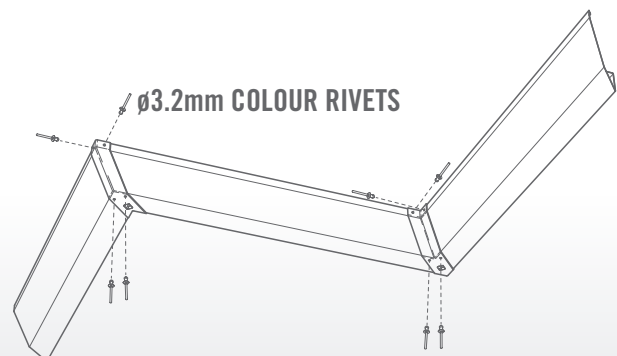
STEP 3

External & Internal gutter mitre covers will be supplied to cover each corner. Fit each mitre cover in-place from beneath the gutter.



STEP 4

Drill four $\varnothing 3.2\text{mm}$ holes in the gutter using the pilot holes in the mitre covers as a guide.
Rivet the mitre covers to the gutters using colour-matched $\varnothing 3.2\text{mm}$ rivets.
Seal each corner using silicone within the gutter.



« SCAN THIS QR CODE TO FIND A STRATCO NEAR YOU

1300 155 155
stratco.com.au

All brands and logos/images accompanied by © or ™ are trade marks of Stratco (Australia) Pty Limited. © Copyright December 2019

How To.

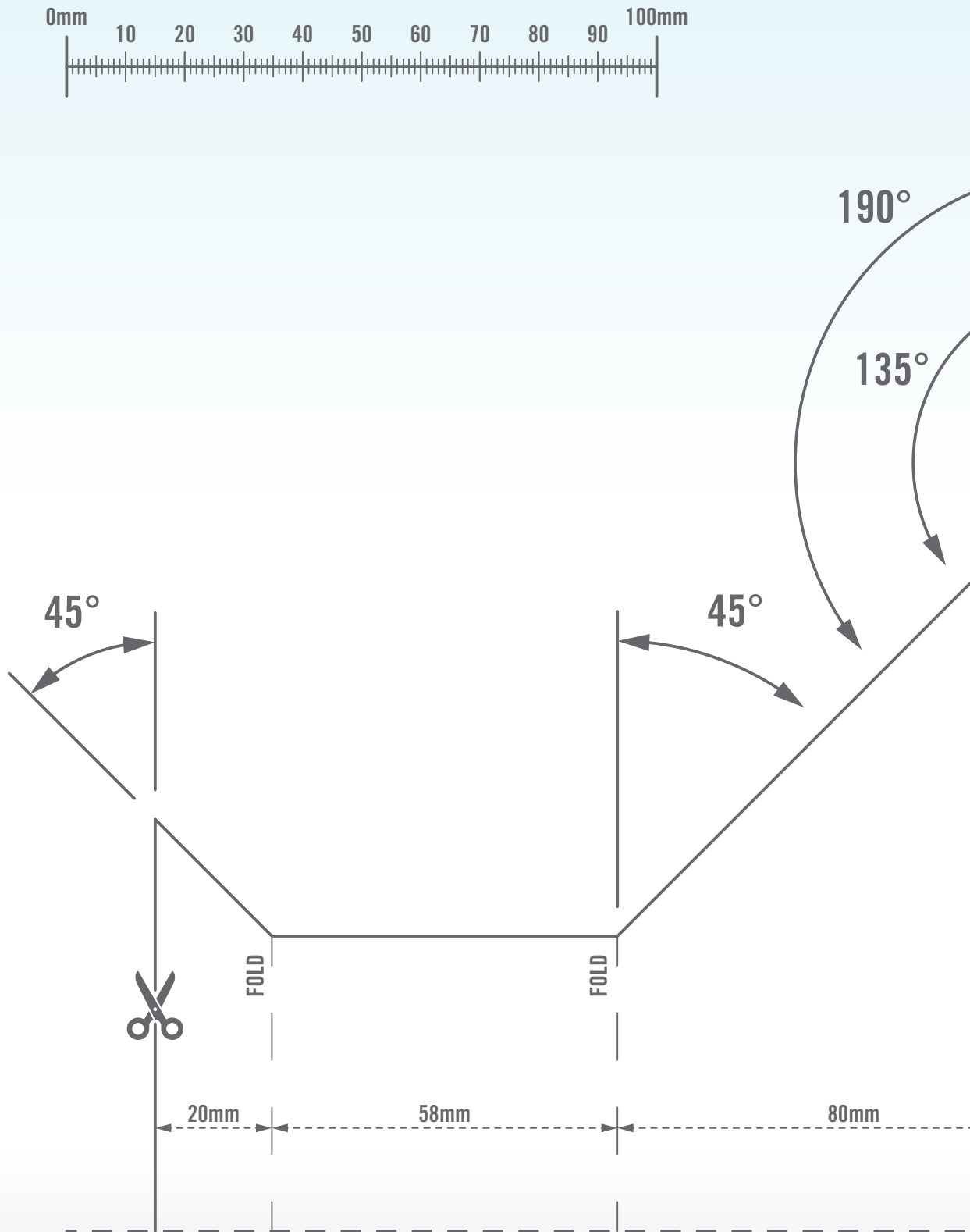


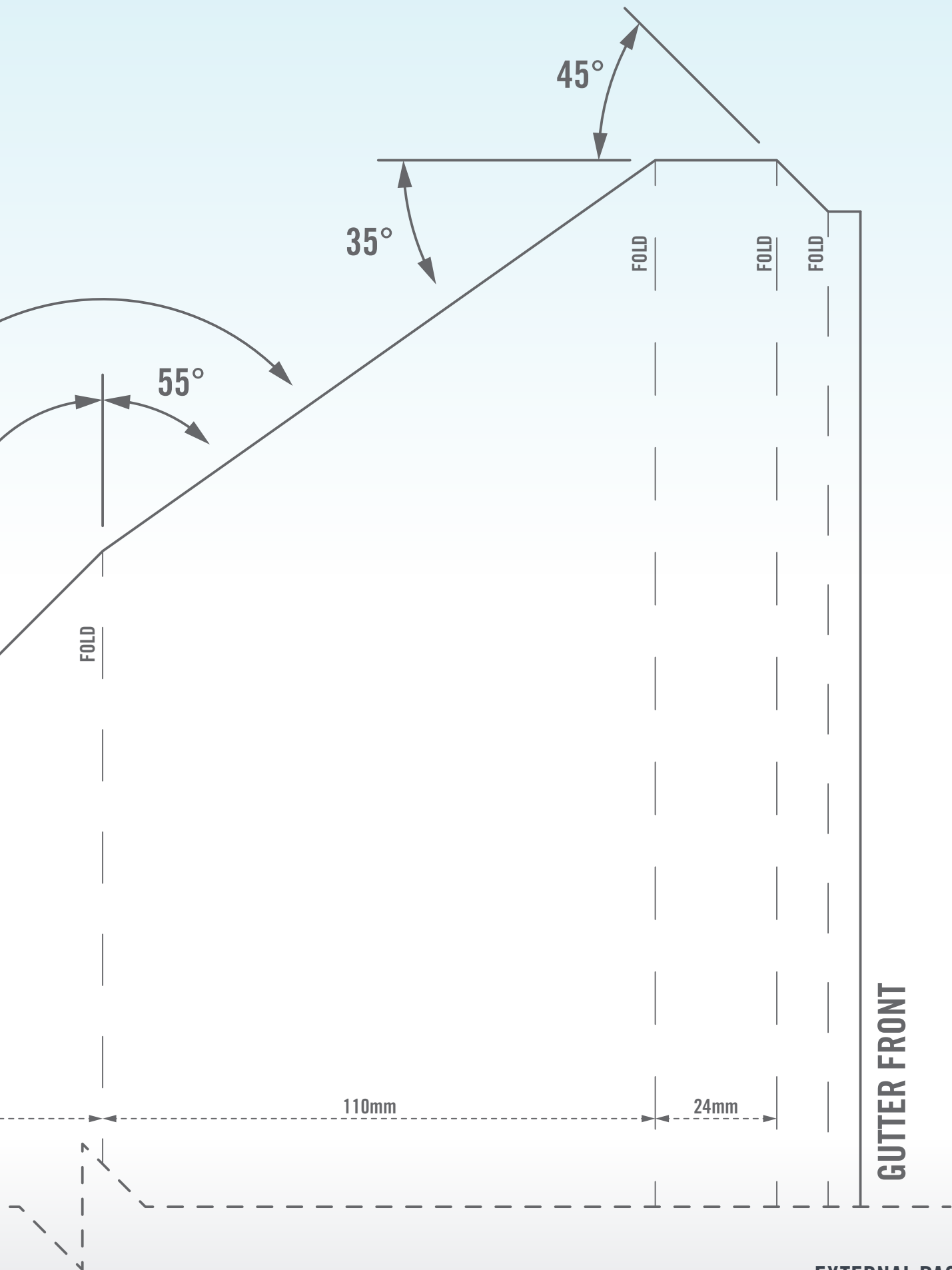
EDGE 160 EXTERNAL MITRE FLAT PATTERN TEMPLATE

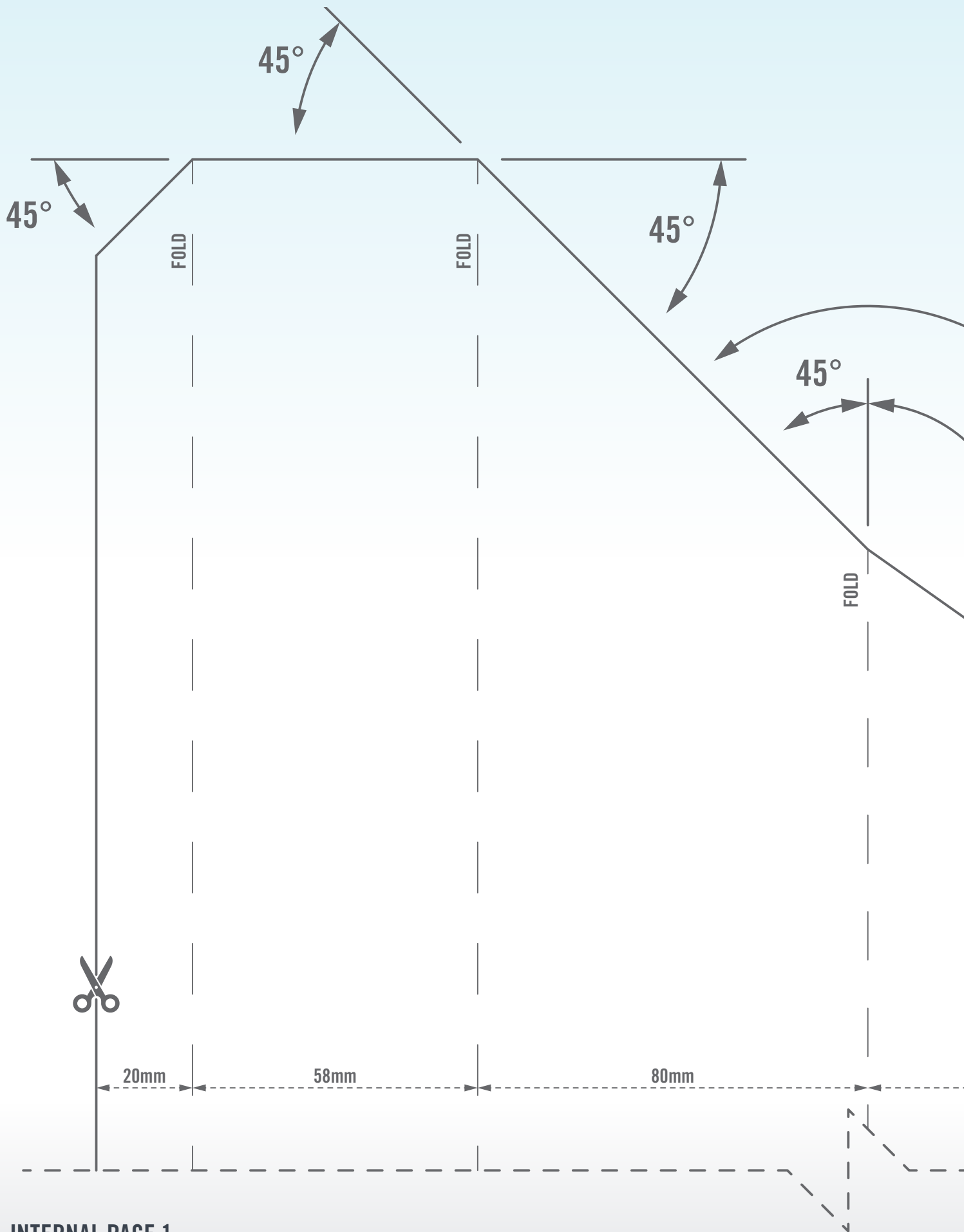
CUT-OUT TEMPLATE FOR MARKING-UP GUTTERS

FLIP TEMPLATE FOR LEFT & RIGHT VARIATIONS

ENSURE TEMPLATES ARE PRINTED AT "ACTUAL SIZE"







EDGE 160 INTERNAL MITRE FLAT PATTERN TEMPLATE

CUT-OUT TEMPLATE FOR MARKING-UP GUTTERS

FLIP TEMPLATE FOR LEFT & RIGHT VARIATIONS

ENSURE TEMPLATES ARE PRINTED AT "ACTUAL SIZE"

