

General Requirement

Stramit® Gutter Spacer is only suitable for **Stramit® Fascia** and **Stramit® Gutters**.

Use of this clip for overflow provision can form part of an eaves gutter installation, allowing for gutter overflow. When ordering and cutting gutter, remember to allow for small changes to gutter length due to the presence of a gap.

An external corner to external corner will increase the gutter length whilst internal to internal reduces the length. Internal to external remains the same length although the position of any downpipe outlets will be different.

The **Stramit® Gutter Spacer** is manufactured using painted steel coil, is non-combustible and suitable for use in bushfire prone areas.

IMPORTANT NOTE

The information contained within this brochure is for general use and information only. Before application in a particular situation, Stramit recommends that you obtain appropriate independent qualified expert advice confirming the suitability of product(s) and information in question for the application proposed. While Stramit accepts its legal obligations, be aware however that to the extent permitted by law, Stramit disclaims all liability (including liability for negligence) for all loss and damage resulting from the use of the information provided in this brochure.

The Stramit web page can be found at:

www.stramit.com.au

Details of many Stramit® products can also be seen on the AIA site 'Product Selector' at:

www.selector.com.au

**Call us for further information
or the name of your local distributor**



SYDNEY 33-83 Quarry Road, Erskine Park NSW 2759 Telephone (02) 9834 0900 Facsimile (02) 9834 0988	ADELAIDE 11 Stock Road, Cavan SA 5094 Telephone (08) 8262 4444 Facsimile (08) 8262 6333
CANBERRA 4 Bass Street, Queanbeyan NSW 2620 Telephone (02) 6132 8300 Facsimile (02) 6132 8333	BRISBANE 57-71 Platinum Street Crestmead QLD 4132 Telephone (07) 3803 9999 Facsimile (07) 3803 1499
COFFS HARBOUR 6 Mansbridge Drive, Coffs Harbour NSW 2450 Telephone (02) 6656 3800 Facsimile (02) 6656 3808	TOWNSVILLE 402-408 Bayswater Road, Garbutt QLD 4814 Telephone (07) 4412 3900 Facsimile (07) 4412 3909
NEWCASTLE 17 Nelson Road, Cardiff NSW 2285 Telephone (02) 4041 3400 Facsimile (02) 4041 3423	CAIRNS Vickers Street, Edmonton QLD 4869 Telephone (07) 4034 6555 Facsimile (07) 4034 6511
ORANGE 51 Leewood Drive, Orange NSW 2800 Telephone (02) 02 6363 3900 Facsimile (02) 6363 3911	MACKAY Brickworks Court, Glenella QLD 4741 Telephone (07) 4965 4000 Facsimile (07) 4965 4012
MELBOURNE 2/1464 Ferntree Gully Road, Knoxfield VIC 3180 Telephone (03) 9237 6200 Facsimile (03) 9237 6299	MARYBOROUGH 10 Activity St, Maryborough QLD 4650 Telephone (07) 4123 9500 Facsimile (07) 4123 9508
ALBURY 18 Ariel Drive, Albury NSW 2640 Telephone (02) 6041 7600 Facsimile (02) 6041 7666	ROCKHAMPTON 41 Johnson St, Parkhurst QLD 4702 Telephone (07) 4921 5600 Facsimile (07) 4921 5608
BENDIGO Ramsay Court, Kangaroo Flat VIC 3555 Telephone (03) 5448 6400 Facsimile (03) 5447 9677	DARWIN 55 Albatross Street, Winnellie NT 0820 Telephone (08) 8930 6333 Facsimile (08) 8930 6308
HOBART 57 Crooked Billett Drive, Brighton TAS 7030 Telephone (03) 6262 8888 Facsimile (03) 6262 8812	PERTH 605-615 Bickley Road, Maddington WA 6109 Telephone (08) 9493 8800 Facsimile (08) 9493 8899

Stramit Corporation Pty Ltd. ABN 57 005 010 195.
A member of the Fletcher Building Group.

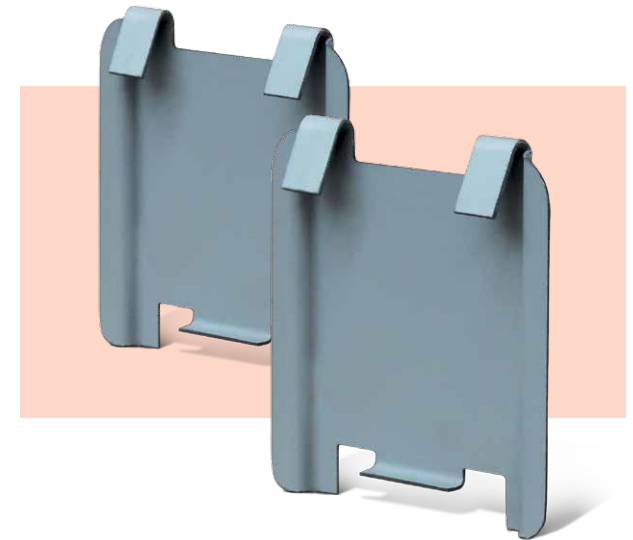
© and TM are trade marks of Stramit Corporation Pty Limited.

© Stramit Corporation Pty Limited, April 2016.



STRAMIT® Gutter Spacer

OVERFLOW PROVISION FOR STRAMIT®
GUTTER AND FASCIA SYSTEMS



**product
installation
supplement**

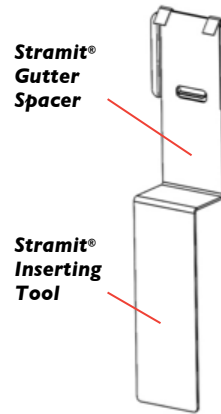
STRAMIT® GUTTER SPACER

OVERFLOW PROVISION FOR STRAMIT® GUTTER AND FASCIA SYSTEMS

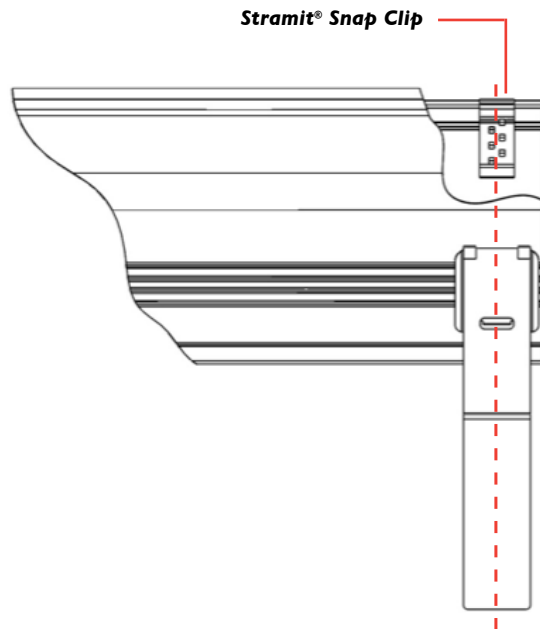
Installation Procedure

The **Stramit® Gutter Spacer** is installed after the gutter has been positioned with the **Stramit® Snap Clips** to give the required fall.

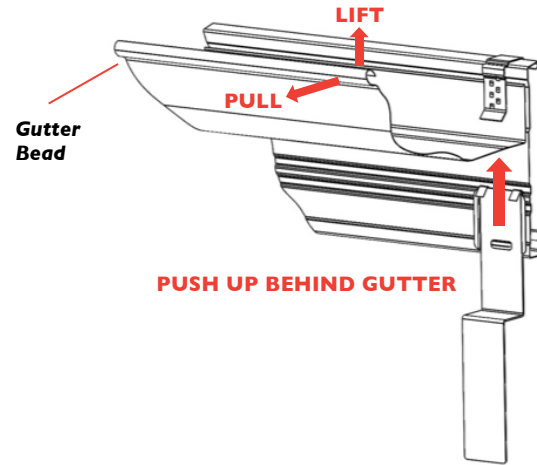
1. Hook the **Stramit® Gutter Spacer** onto the **Stramit® Inserting Tool**.



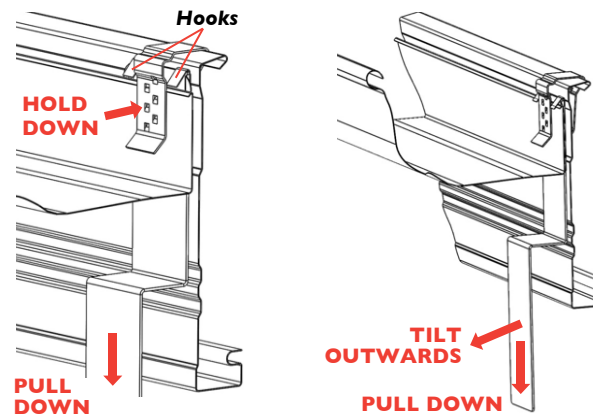
2. Align the **Stramit® Gutter Spacer** with the **Stramit® Snap Clip**.



3. While gently lifting up and pulling away on the bead of the gutter to generate a gap between the gutter and fascia board, push the **Stramit® Gutter Spacer** up behind the gutter while making sure the spacer is aligned with the **Stramit® Snap Clip**.

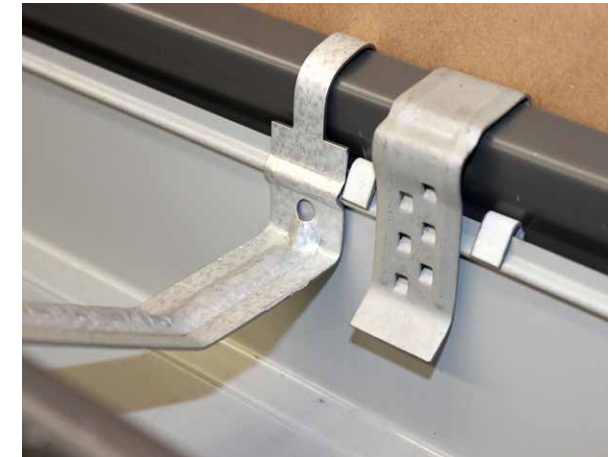
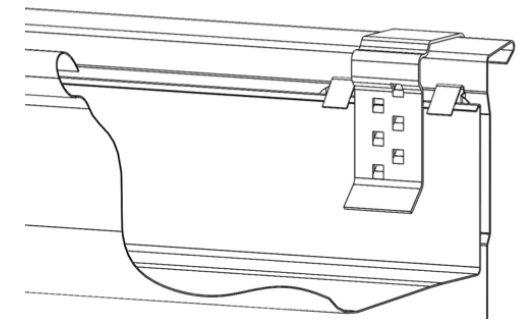


4. While holding down the **Stramit® Gutter Spacer** flat against the **Stramit® Fascia Board**, pull down on the **Stramit® Inserting Tool** to position the hooks of the **Stramit® Gutter Spacer** over the back of the gutter. Tilt the hand held part of the **Stramit® Inserting Tool** away from the **Stramit® Fascia Board** to disengage the lower hook and pull down to remove the tool.



5. The installed **Stramit® Gutter Spacer** should resemble the image below.

The **Stramit® Gutter Stiffeners** can now be fitted as close as possible to the **Stramit® Snap Clips**.



Retrofit Installation Instructions

If the **Stramit® Snap Clip** is covered by the roof tiles or metal roofing and is not visible, position the **Stramit® Gutter Spacer** at the same position as the Stiffener or Overstrap, along the length of the gutter, by following the installation instructions given above.