

# Steeline Square Fascia Gutter

FASCIA GUTTER

ST16



**Colorbond® Zinalume®**

Steeline Square Fascia Gutter is an appealing, modern profile that suits a multitude of building designs. The continuity of gutter line profile can be maintained on barges with the square barge capping. The medium gauge metal has rollformed ribs on the front face which offers great resistance to denting and a stylish, buckle free appearance. This is an ideal product to use on garages and sheds where it can be attached directly to the underside of the roof sheeting. Made from COLORBOND® or ZINCALUME® steel that will last.

**Ph. 1300 STEELINE**

**[steeline.com.au](http://steeline.com.au)**



**Service over and above**

# Steeline Square Fascia Gutter

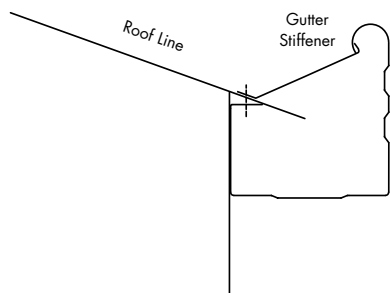
FASCIA GUTTER

ST16

## Installation

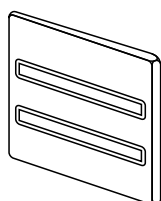
### Stop ends

Pre-formed end stops provide a neat finish to straight runs of gutter, and require less labour and skill than site formed ends. However both methods require the use of Rivets and a roofing type silicone sealant.

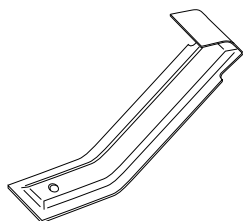


### Fixing Instructions

1. Hold gutter hard up into the corner of where the top of the walls sheets meet the overhang of the roof sheets.
2. Fasten with the use of a screw or rivet through the roof sheet & into the return leg on the top of the back of the gutter.
3. Use the standard splice & slide method to join each length of gutter together. Rivet & Seal.
4. Ensure the gutter is fastened to the roof with this method at least every 900mm along the length of the gutter.
5. Then at maximum spaces of 1 metre clip the gutter stiffener bracket into the bead of the gutter, then with the use of a screw or rivet fasten the stiffener bracket to the roof sheeting taking care to make sure the front of the gutter remains straight.



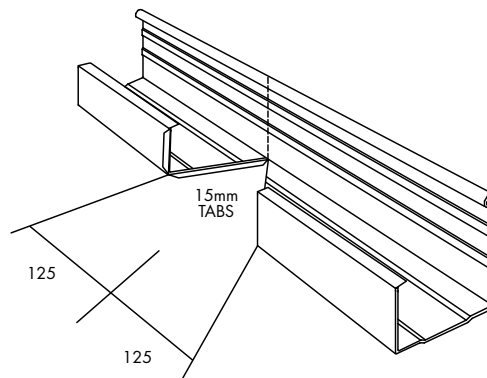
Stop End



Gutter Stiffener

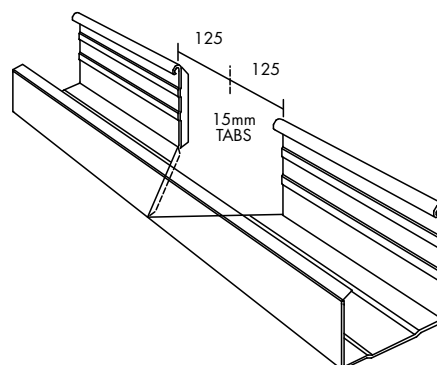
## External Corners

Cut as shown in illustration, fold, rivet and seal.



## Internal Corners

Cut as shown in illustration, fold, rivet and seal.



## Gutter Joining

To produce a slip joint, notch gutter as shown in the illustration. Insert reduced end into normal end, rivet and seal.

