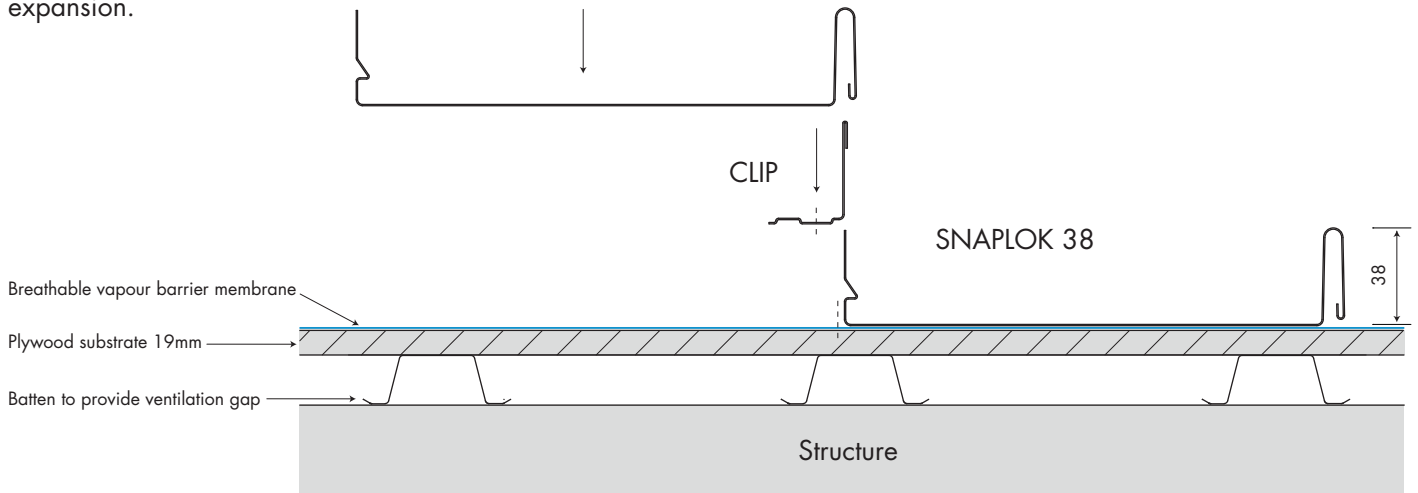


Steeline SNAPLOK 25 & 38

**CLASSIC EURO PANEL RANGE
ROOF OR WALL
CLADDING**

SNAPLOK is available in 25mm and 38mm Rib heights. Fixing Clips screwed every 600mm. The joining panel snaps over the clip and the under rib with no mechanical seam locking required. The clip system allows for thermal expansion.



38mm high wall cladding can be installed on battens at 600mm centres with no substrate required.

Preparation

The substrate must be flat and rigid where the panels are laid. Battens are required between the structure and the ply to create a ventilation gap to prevent condensation. Procter wrap, a breathable barrier membrane, is required between the substrate and the Snap Lock panel.

Material Availability

- Colorbond®
- Colorbond® Ultra
- Colorbond® Metallic
- Colorbond® Matt
- Galvanised

Standard SnapLok Specifications

	Rib Height 25mm		Rib Height 38mm	
Rib Height and Cover	25 x 210	25 x 310	38 x 180	38 x 280
SnapLok Length	- 1.0 - 8.0 Recommended Max			
Minimum Pitch	- 3° Roof			
Custom Widths	- Available on request			
Notching	- 20mm Rib cut back as requested			
Stop Ends	- Fold up, Fold down, Fold Hook			
Screws	- Wafer 10-12 x 25 Timber			

