

Steeline 61 mm Top Hat Section

TOP HAT SECTION

GE45



Colorbond® Zinalume®

Steeline Top Hat Section is made from galvanised Steel and can be manufactured to your individual requirements or is also available in stock lengths. It is available in the following gauges 0.75 BMT & 1.0 BMT to give you different spanning capabilities. This product is ideal to use for battens and wall girts on your garage, shed or carport.

Ph. 1300 STEELINE

steeline.com.au



Service over and above

Steeline 61mm Top Hat Section

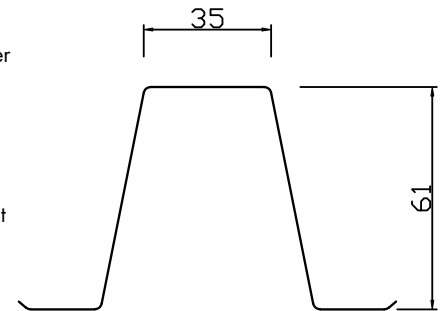
TOP HAT SECTION

GE45

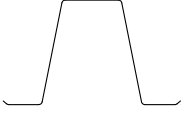


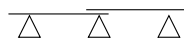
Top Hat Sections

Structural metal Top Hat Sections are a cost effective alternative to conventional purlins or timber on smaller type buildings like garages and small sheds. They are ideal to be used for wall girts and roof supports. They are fixed with the use of 14 x 22 metal tek screws onto the columns and rafters through the bottom flange of the Top Hat Sections. They have excellent spanning capabilities and are lap joined on longer runs.

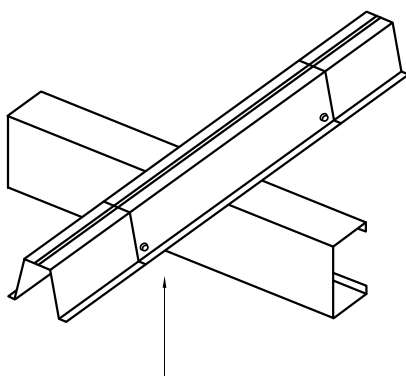
Steeline top hat sections are available in 3 different thicknesses allowing them to be used in many different applications to suit your requirements. They are rollformed cut to length in thicknesses of 0.75 BMT, 1.0 BMT. Made from hi-tensile galvanised so you know they will stand the test of time. They comply with the Australian standards.



Quick selection chart (Non-cyclonic areas)

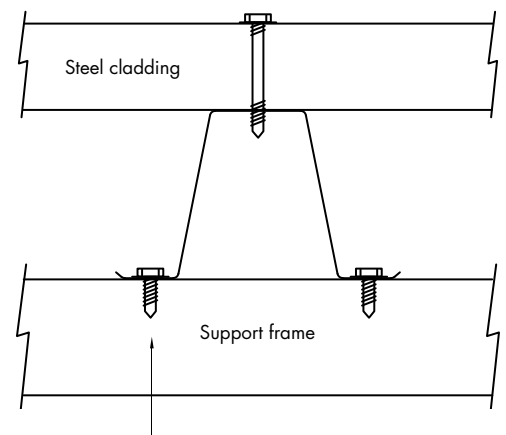
		MAXIMUM ALLOWABLE PURLIN SPAN								
		Single Span			Double Span			Lapped Span		
										
Profile BMT (mm)	Purlin Spacings	W33	W41	W50	W33	W41	W50	W33	W41	W50
TH-61 .75mm	600	3000	2600	2300	4000	3600	3200	4000	3800	3300
	900	2600	2300	2100	3800	3200	2800	3900	3300	2900
	1200	2400	2100	1900	3450	2900	2550	3600	3000	2650
	1500	2200	2000	1700	3200	2700	2400	3300	2800	2450
TH-61 1.0mm	600	3400	2900	2500	4000	4000	3500	4000	4000	3600
	900	3100	2600	2250	4000	3550	3100	4000	3650	3200
	1200	2700	2350	2050	3800	3250	2850	3900	3350	2950
	1500	2500	2200	1950	3550	3000	2600	3650	3100	2750

Typical attachment detail



No 10x16 TEKS (Laps)

Fastening steel cladding



No 14x22 TEKS