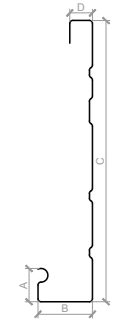
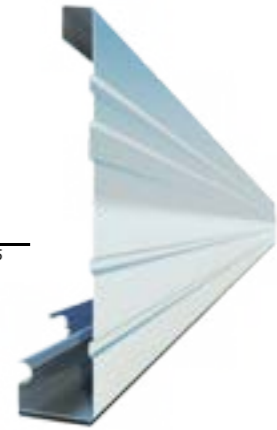


REVOLUTION RAINWATER GOODS

FASCIAS

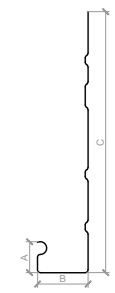


DIMENSIONS	A	B	C	D
	22	36	186	15



METAL FASCIA

Easily installed and maintained, the metal fascia is a sturdy alternative to timber.



DIMENSIONS	A	B	C	D
	22	36	186	-



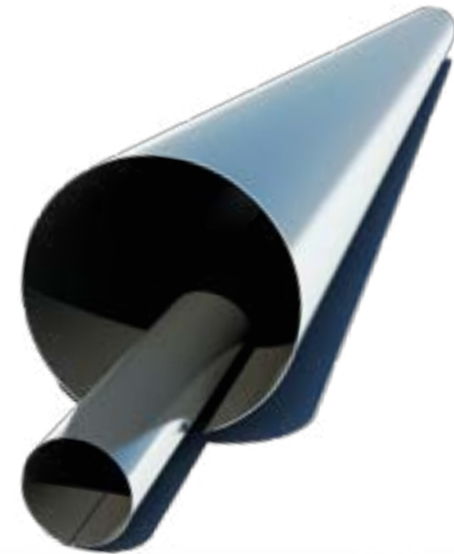
FASCIA COVER

Fascia Covers offer a polished and time saving solution, protecting your woodwork from rotting and eliminating the need for maintenance, once and for all.

DOWNPIPES

Sizing - Diameter (mm)

60
75
90
100
120
125
150
225
300



REVBIG DOWNPIPES

Revolution Roofing now roll steel round downpipes to length up to 6m. That's two storeys with one downpipe. No unnecessary cutting, or joining! And if you need to join them, we offer crimping and expanding services which are highly effective and aesthetic. With diameters from 60-300mm, Revolution Roofing will make sure all the water on your roof doesn't end up in your roof.

Dimensions (mm)

50x50
75x50
75x75
100x50
100x75
125x100
150x100



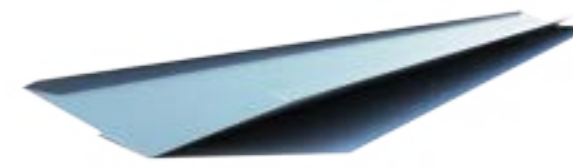
SQUARE DOWNPIPES

Our new machines now allow us to produce rectangular steel downpipes up to 4m in length. Available in a variety of dimensions, we make it easy (and hip) to be square.

CAPPING

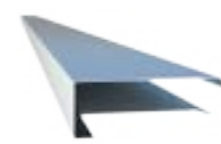
At Revolution Roofing, we offer a wide range of capping to complement all roofing styles from contemporary to heritage in a variety of finishes. These include the traditional soft feed .55 heavy gauge and modern Hi Tensile materials. Complete your modern home with our standard ridge, valley and barge capping.

VALLEY GUTTER



BARGE CAP

SQUARE BARGE



ROLL BARGE



PROFILED



CONTEMPORARY RIDGE

STANDARD



ROLL TOP CAP



RAINHEADS

We have a large range of custom rainheads to suit any building or project. Each is handcrafted to suit the unique requirements of the project and they are available in an endless range of finishes and sizes. Rainheads are a decorative finish to any building, while minimising the risk of water flow inside a building. We have a standard selection of rainhead designs, but they can be made to

custom design for you special project. Rainheads are available in a wide range of materials and finishes from Colorbond® Steel to Stainless Steel and even Heritage Galvanised. When ordering a Revolution rainhead, we recommend you discuss your requirements with a Revolution Roofing expert to ensure you consider all the important elements.



REGENCY RAINHEAD



CONICAL



IRONMAN

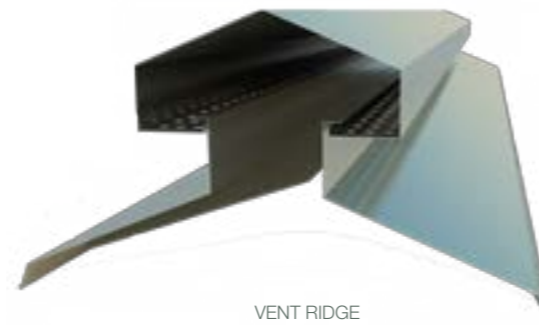


FLATBOTTOM

VENTS

Revolution Roofing's extensive range of vents and hatches provide a secure and appealing solution to the challenge of increasing building ventilation. Revolution Roofing offer the standard types of vents, but whatever you can dream, we can build!

Vents and hatches are available in a wide range of materials and finishes from Colorbond® Steel to Stainless Steel and even Heritage Galvanised. When ordering a Revolution vent or hatch, we recommend you discuss your requirements with a Revolution Roofing expert to ensure you consider all the important elements.



VENT RIDGE



PRINCE ALFRED VENT



TRIANGULAR VENT



CIRCULAR VENT



REVOLUTION RAINWATER GOODS

www.revolutionroofing.com.au



Mile End Display Centre
175 Railway Terrace
Mile End South
South Australia 5031
Phone: (08) 8352 0911

Regency Park HQ
5-17 Taminga Street
Regency Park
South Australia 5010
Phone: (08) 8352 0911

Southern Branch
14 Bredbo Street
Lonsdale
South Australia 5160
Phone: (08) 8186 0545

Revolution Roofing
55b Hector Street
Osborne Park
Western Australia 6017
P: (08) 9217 9011



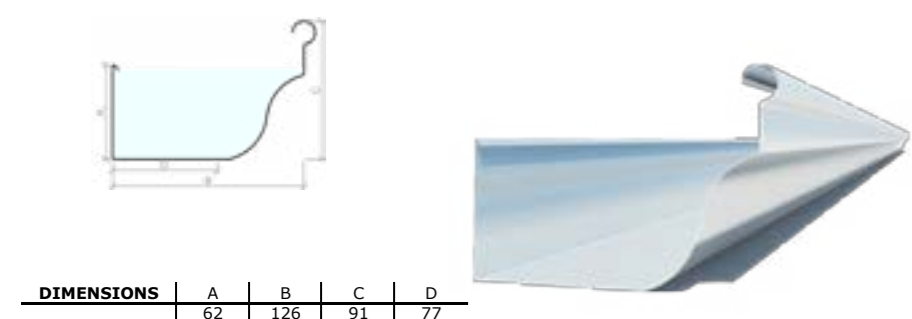
REVOLUTION ROOFING
STEEL YOURSELF

REVOLUTION RAINWATER GOODS

When it rains, we're indoors innovating new ways to tackle the storms. Revolution Roofing's range of rainwater goods keeps expanding: proof that we don't come down with the latest showers. Not only do we have the largest range of rainwater goods in South Australia, we also have the biggest downpipes and gutters.

And while those who are dear to us tell us size doesn't matter, deep down, we know it does - especially when it come to carrying large volumes of water off your roof. We also have the largest jobbing workshop, offering custom and standard capping, vents and rainheads. Check out just how big our 'range' is...and remember to grab your free breakfast when you pickup your goods!

GUTTERS *signifies slotting is available



DIMENSIONS	A	B	C	D
	62	126	91	77
CAPACITY	mm ²			
Standard	6310			

115MM OG GUTTER*

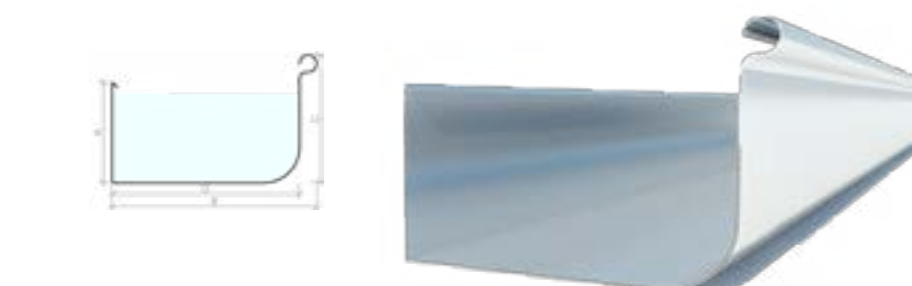
For those who want a traditional style for a modern home. Shallower profile for minimalistic design. Features Hi Tensile steel with modern finish which can also be adapted for re-guttering.



DIMENSIONS	A	B	C	D
	60	115	90	-
CAPACITY	mm ²			
Standard	6310			

115MM QUAD GUTTER*

Modern adaptable profile that blends with traditional and contemporary architectural styles. Features a higher front, ideal for concealing sheet ends for a seamless finish.



DIMENSIONS	A	B	C	D
	70	131	89	143
CAPACITY	mm ²			
Standard	8250			

125MM D GUTTER

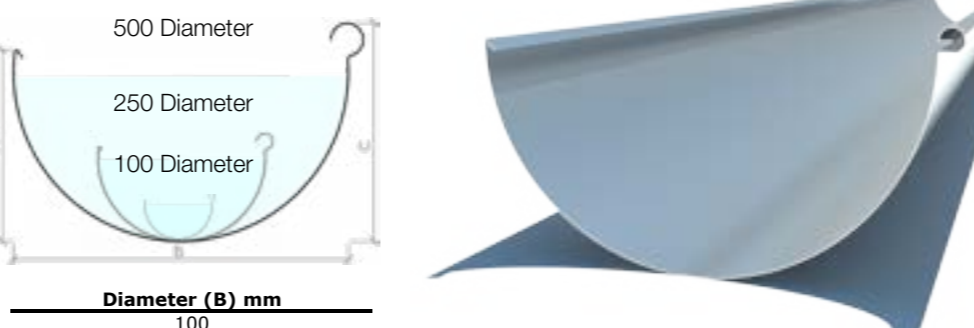
If you want the traditional, look no further. Traditional 125mm full sized OG and D profiles made from G300 'soft feed'. Available for re-guttering and new homes.



DIMENSIONS	A	B	C	D
	65	96	137	87
CAPACITY	mm ²			
Standard	7420			

125MM OG GUTTER

If you want the traditional, look no further. Traditional 125mm full sized OG and D profiles made from G300 'soft feed'. Available for re-guttering and new homes.

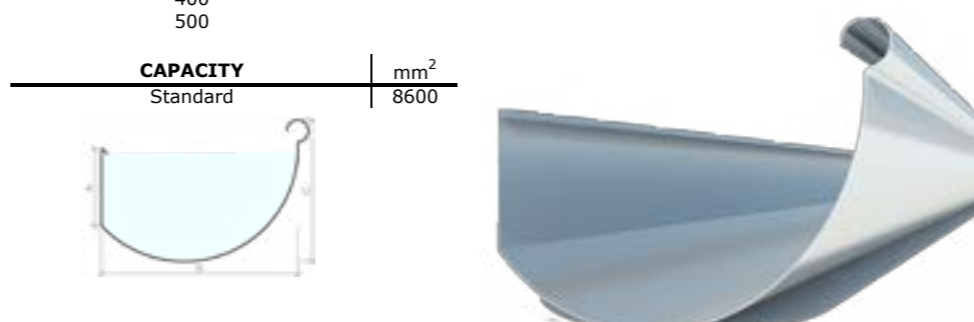


Diameter (B) mm	
	100
	150
	200
	250
	300
	400
	500

CAPACITY	mm ²
Standard	8600

REVBIG HALF ROUND GUTTER*

Perfect for domestic and commercial building, with a smooth shape and practical style. Lower maintenance required. From 100-500mm in diameter, with standard or european bead.



DIMENSIONS	A	B	C	D
	53	136	98	-
CAPACITY	mm ²			
Standard	8121			

150MM SMOOTHBACK GUTTER*

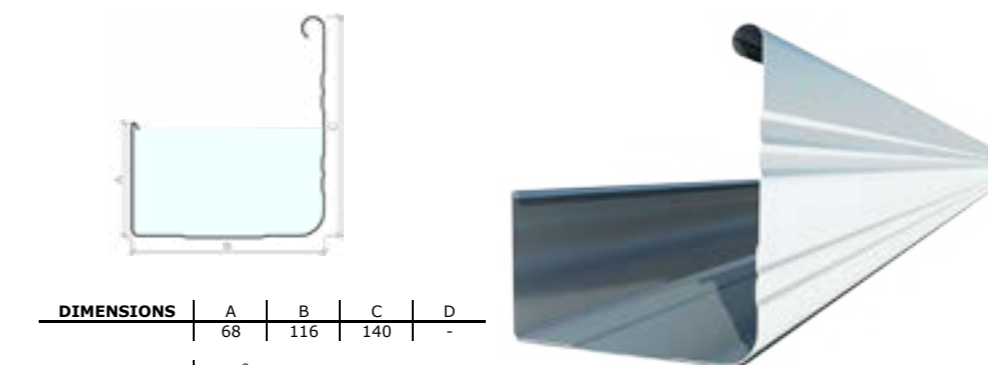
A classic and seamless profile that blends with any style of home. Features a higher water carrying capacity than the OG and D Gutters.



DIMENSIONS	A	B	C	D
	68	116	132	-
CAPACITY	mm ²			
Standard	8024			

FASCIA GUTTER

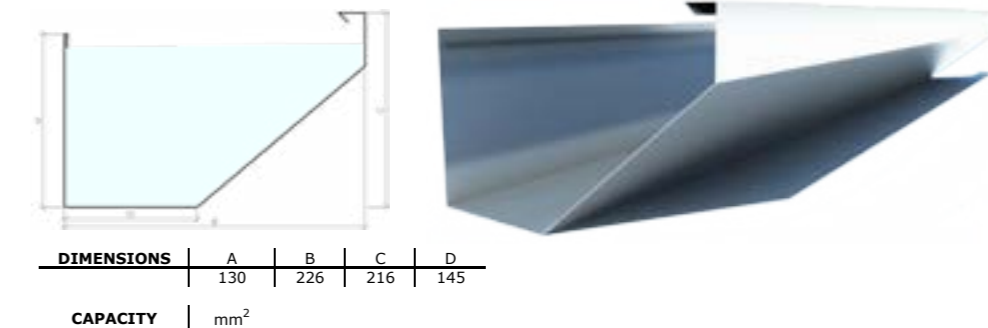
An old favourite compatible with all types of roofs. Suitable for all styles of housing and small commercial projects. Also available with return for gutter truss.



DIMENSIONS	A	B	C	D
	68	116	140	-
CAPACITY	mm ²			
Standard	8322			

HI FRONT QUAD *

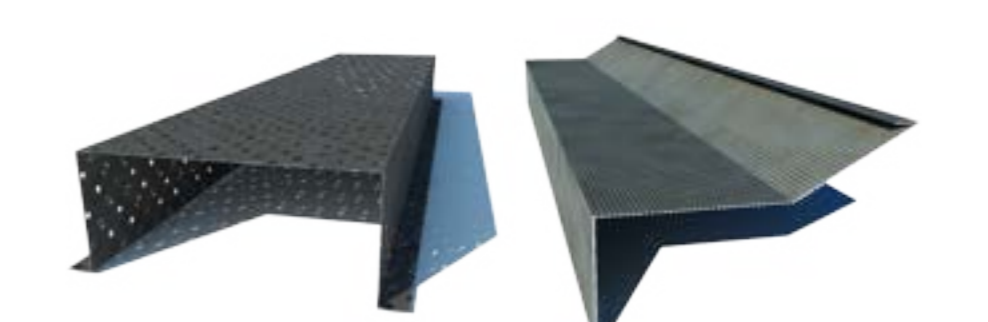
Revitalised rounded profile of the traditional square shape. Perfect for conventional roofing and tiled roofs.



DIMENSIONS	A	B	C	D
	130	226	216	145
CAPACITY	mm ²			
Standard	22,729			

MOSMAN GUTTER

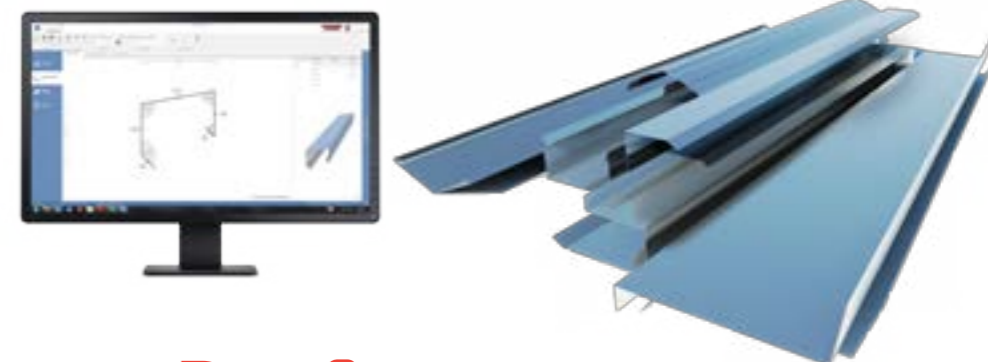
A sleek contemporary design to cap off any modern home. A large water carrying capacity in a large range of 100% Australian Colorbond® Steel colours, means the Mosman Gutter is the easiest choice you'll ever make in gutters - in fact, the only choice you have to make.



LEAFGUARD - REVGUARD

Why offer all types of gutters but only one Leafguard? At Revolution Roofing not only do we have the largest range of custom gutters but we also have the largest range of leafguard too! Whether it's a box, valley, or eaves gutter we can change the shape to suit and the perforated pattern is available in either:

- 3.52mm diameter @ 4.52mm centres (46.89% open area)
- 7.94mm diameter @ 9.53mm centres (62.69% open area)



RevBend
REVOLUTION ROOFING

FLASHINGS

Revolution Roofing has recently developed the world's fastest, most efficient and highly accurate 3D drawing ordering system for flashings. We call it RevBend and it will blow your mind. Our machines work 24 hours a day guaranteeing your order is processed for the next day. Flashings up to 8 meters long can be be folded to any custom design. Next time, consider Bending it yourself with RevBend.



REVOLUTION ROOFING
STEEL YOURSELF