

REVBIG GUTTERS

In this case, bigger is better.

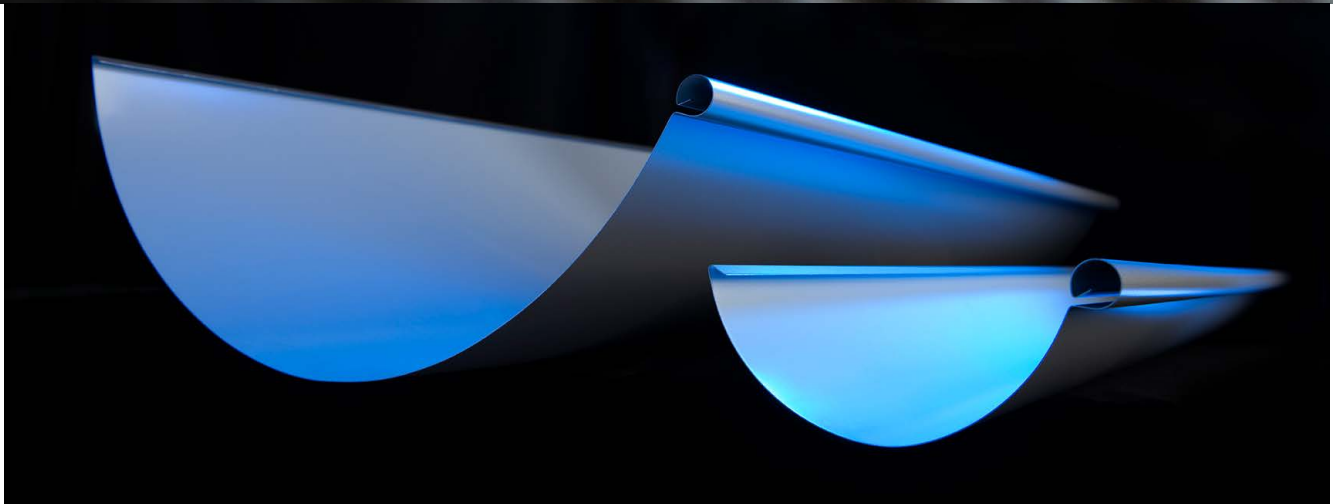
At Revolution Roofing, we think if you're designing a commercial building, you should be able to design it with commercial sized eaves gutters. We've done the research, invested in technology and now we bring to you; variable width, continuous length steel half round gutters up to a massive six metres long. We think it's the largest advancement in roll formed

eaves gutters in the last three decades. And it gives you the perfect choice for a commercial project that requires something a bit bigger than a domestic eaves gutter.

Revolution Roofing proudly introduce RevBig Gutters.



REVBIG GUTTERS



FINISHES AVAILABLE

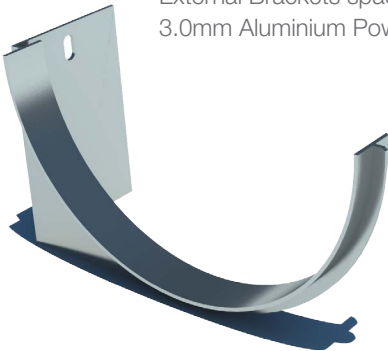
	Domestic Gauge 0.55 BMT	Commercial Gauge 0.80 BMT
Zincalume	✓	✓
Colorbond®	✓	✓
Colorbond® Ultra	✓	
Colorbond® Metallic	✓	
Colorbond® Matte Finish	✓	
Heritage Galvanised	✓	

STANDARD SIZES AVAILABLE

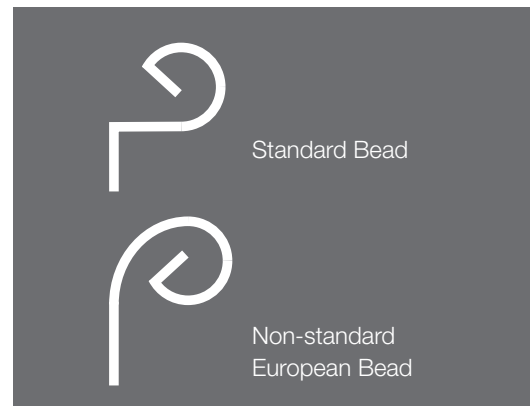
Size (mm)	Cross-Sectional Area (mm ²)
200	14500
250	24500
300	35200
350	48100
400	62800

SUGGESTED INSTALLATION OF REVBIG GUTTERS

External Brackets spaced at 1200mm centres.
3.0mm Aluminium Powdercoated Brackets.



TWO BEAD OPTIONS



TIMBER



For fixing brackets into timber fascia
Revolution Roofing recommend a
12G coach bolt fixing.

PRECAST



For fixing into precast concrete
Revolution Roofing recommend a
concrete screwbolt, minimum
8x50mm (such as) a Hilti HUS anchor.

STEEL



For fixing into steel fascia purlin
Revolution Roofing recommend
a 12G self drilling screw.

www.revolutionroofing.com.au

Regency Park HQ
5-17 Taminga Street
Regency Park
South Australia 5010
Phone: (08) 8352 0911

Southern Branch
14 Bredbo Street
Lonsdale
South Australia 5160
Phone: (08) 8186 0545

Osborne Park
55b Hector Street
Osborne Park
Western Australia 6017
Phone: (08) 9217 9011

Colorbond®

