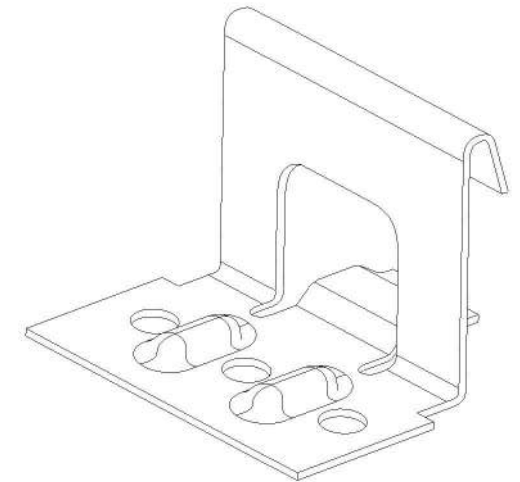
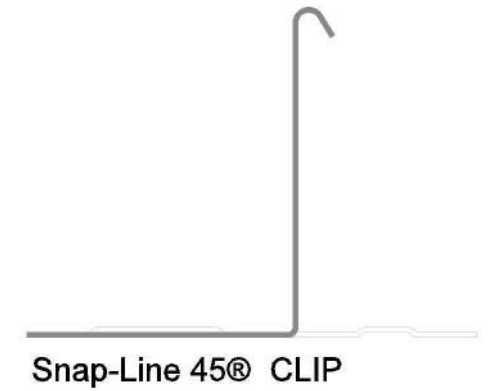
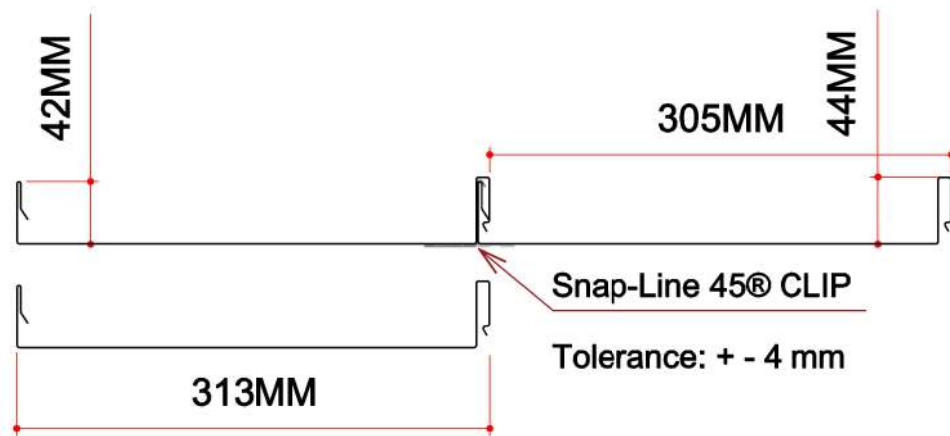


Profile: Snap-Line 45®

Module 305 MM

BMT 0.55mm Materials: Colorbond®, Zinalume®, Unicote® Lux, Stainless Steel

BMT 0.7mm Materials: Copper, Aluminium, Corten, Titanium Zinc



**ARCHITECTURAL
PANEL SYSTEMS**