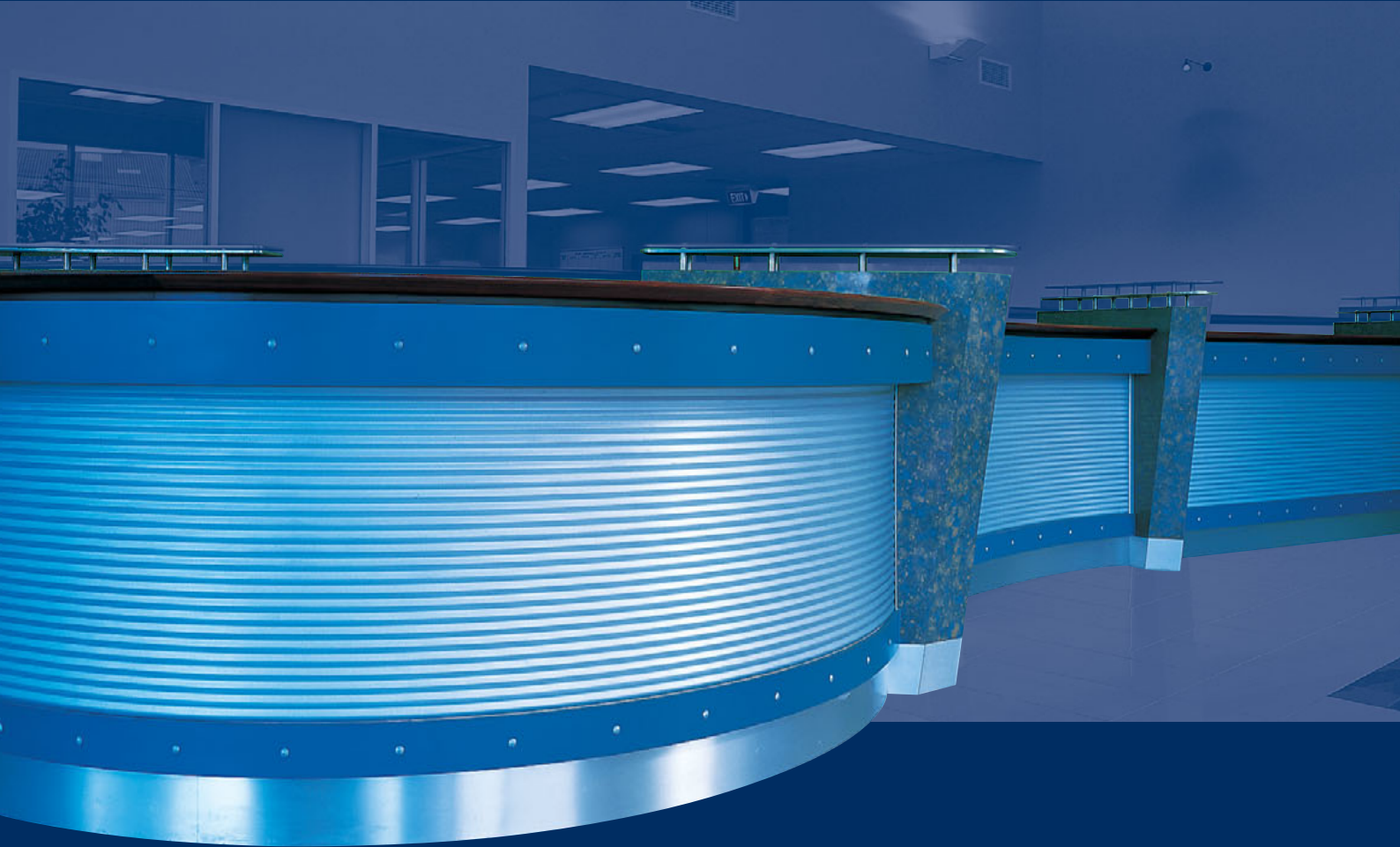


Mini-Flute

DESIGN ■ SPECIFICATION ■ INSTALL



THE FIRST SELECTION IN STEEL

Mini-Flute in tune with the best design ideas

There's just one profile that gives a new, attractive tone to an Australian steel classic. Fielders Mini-Flute. Familiar corrugations. Yet somehow, a radical departure that's perfect for innovative design ideas, both interior and exterior.

Beyond traditional corrugated steel applications, Fielders Mini-Flute shines, drawing the eye, adding an individual touch that embraces just a hint of Australian history, whilst speaking volumes about the daring directions steel can take today.

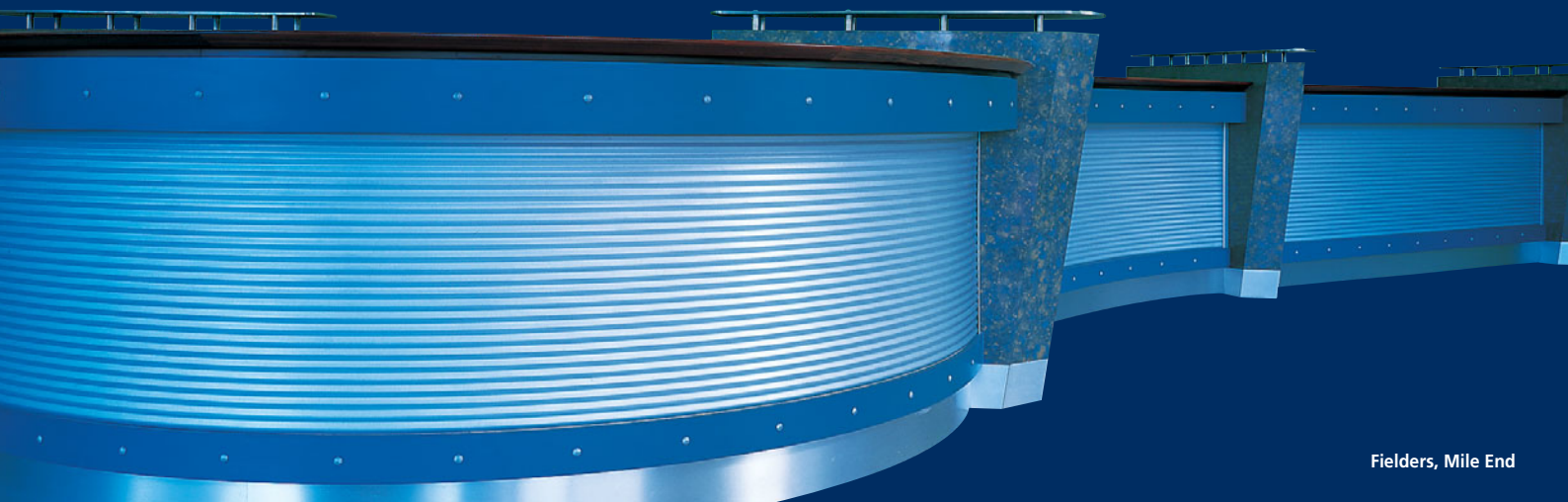
Fielders Mini-Flute. Express yourself – straight up or sideways.

If you're bent on pushing design boundaries, Fielders Mini-Flute is the perfect material for lateral thinkers like you. Fix the profile's slim longitudinal corrugations horizontally or vertically, then use the inherent directional flexibility to go with the flow of what you're building. Wherever you use it, expect a fresh new look and admiring glances. On the ceiling, as cladding, as a different approach to fencing. In rainheads, post boxes, awning canopies and bay windows. Use your imagination, and play the flexible good looks of Fielders Mini-Flute to your advantage.



Play it fast. Play it wide. Play it tough.

Fielders Mini-Flute offers plenty of features beyond unique design and good looks. In fact, for a designer material, it's downright user-friendly, with a host of practical advantages. With a generous 810mm sheet coverage, Mini-Flute is in tune with fast installation. Its profile height also allows for easy trimming using long length matching corner cappings.



Fielders, Mile End



Play on the benefits.

Raising your profile through innovative design ideas doesn't have to mean time penalties or restricted choice of materials. Fielders Mini-Flute streamlines each job with a number of advantages that makes it not just a joy to behold, but a pleasure to work with.

- Traditional heritage 'S' profile
- Available in lengths up to 6000mm
- Responsive lead times
- Precision custom curving
- Extensive range of materials

Fielders Mini-Flute makes it affordable.

Playing it tight? You'll be happy to know that Fielders Mini-Flute is now more affordable than ever. A striking design, a better bottom line, so that you can present a premium result at a realistic price. Small wonder Fielders Mini-Flute is the little profile that's making big waves all over Australia.

The perfect profile in a wide choice of finishes.

Fielders Mini-Flute is now available in more materials and finishes than ever before. Play it classic or modern – there's a material to suit every application.

- The full Colorbond® range*
- Zinalume®
- Galvanised
- Stainless steel
- Aluminium
- Copper
- Z600 Heritage Galvanised
- Fielders VM Zinc®

*Subject to availability.



FIELDERS SPECIFICATIONS

MATERIAL SPECIFICATIONS

	Zincalume®	Colorbond®	
Kg Mass / Linear Metre	3.3	3.36	1000 / (Lm/Tonne)
Kg Mass / Metre	4.07	4.15	1000 / (Lm Mass/810)
Base Metal Thickness	0.42		BMT
Total Coated Thickness	0.47		TCT
Tensile Strength	G550		Base Steel Designation
Coating Class	AZ150 (150g/m ²) AZ200 (Ultra) Z450 (Galvanised) Z600 (Heritage Galvanised)		Minimum Coating gms/m ² of Zinc - Aluminium
Thermal Expansion	2.9mm Average per 5 metre at 50°C change.		

	Zincalume®	Colorbond®	
Kg Mass / Linear Metre	3.7	3.77	1000 / (Lm/Tonne)
Kg Mass / Metre	4.57	4.65	1000 / (Lm Mass/810)
Base Metal Thickness	0.48		BMT
Total Coated Thickness	0.53		TCT
Tensile Strength	G550		Base Steel Designation
Coating Class	AZ150 (150g/m ²) AZ200 (Ultra) Z450 (Galvanised) Z600 (Heritage Galvanised)		Minimum Coating gms/m ² of Zinc - Aluminium
Thermal Expansion	2.9mm Average per 5 metre at 50°C change.		

	Zincalume®	Colorbond®	
Kg Mass / Linear Metre	4.7	4.78	1000 / (Lm/Tonne)
Kg Mass / Metre	5.8	5.91	1000 / (Lm Mass/810)
Base Metal Thickness	0.60		BMT
Total Coated Thickness	0.65		TCT
Tensile Strength	G300		Base Steel Designation
Coating Class	AZ150 (150g/m ²) AZ200 (Ultra) Z450 (Galvanised) Z600 (Heritage Galvanised)		Minimum Coating gms/m ² of Zinc - Aluminium
Thermal Expansion	2.9mm Average per 5 metre at 50°C change.		

Span Tables - Mini-Flute is available in 0.42 BMT and 0.48 BMT high tensile strength. 0.60 BMT G300 Soft feed is available in Western Australia. Check span tables for the relevant support spacings to achieve optimum performance.

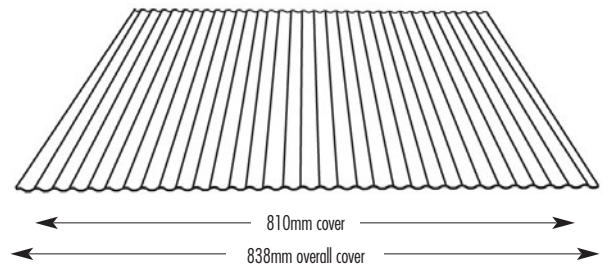
LOAD SPAN TABLES

Maximum Support Spacings - Walling (mm)			
	0.42 BMT	0.48 BMT	0.60 BMT
Single Span	1200	1350	1000
Internal Span	1200	1350	1000
End Span	1200	1350	1000
Unsupported Overhang	100	125	125

Note - It may be necessary to fasten the side laps mid span to improve the aesthetic performance of Mini-Flute.

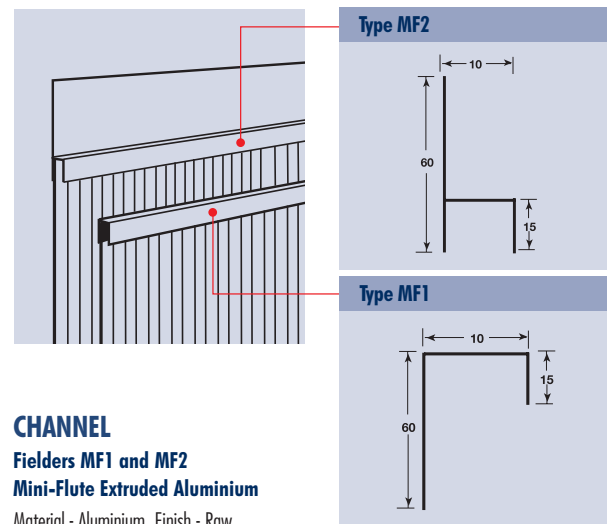
FASTENERS FIXING METHOD

Buildex® Hex-Head screws - Fasteners should be selected to match the grade of roofing material. Zincalume® Galvanised and Colorbond® XRW - Coating of fasteners shall comply with AS 3566 Class 3 e.g. (Climaseal). Colorbond® Ultra and Colorcoat HPS200 - comply with AS3566 Class 4 (e.g. Zacs 4). Colorbond® XSS - Stainless grade 304 for steel or Tapitite, for timber - Type 17.



CAPPINGS

Mini-Flute Extruded Aluminium Channels



CHANNEL

Fielders MF1 and MF2 Mini-Flute Extruded Aluminium

Material - Aluminium, Finish - Raw

HART CURVING QUALITY DETAILS

Mini-Flute can be custom curved down to a radius of 500mm in either 0.42 BMT, 0.48 BMT or 0.60 BMT to form sheets to traditional heritage shapes and challenging architectural details.



Phone Fielders First 1800 182 255 www.fielders.com.au

ADELAIDE · MELBOURNE · SYDNEY · PERTH