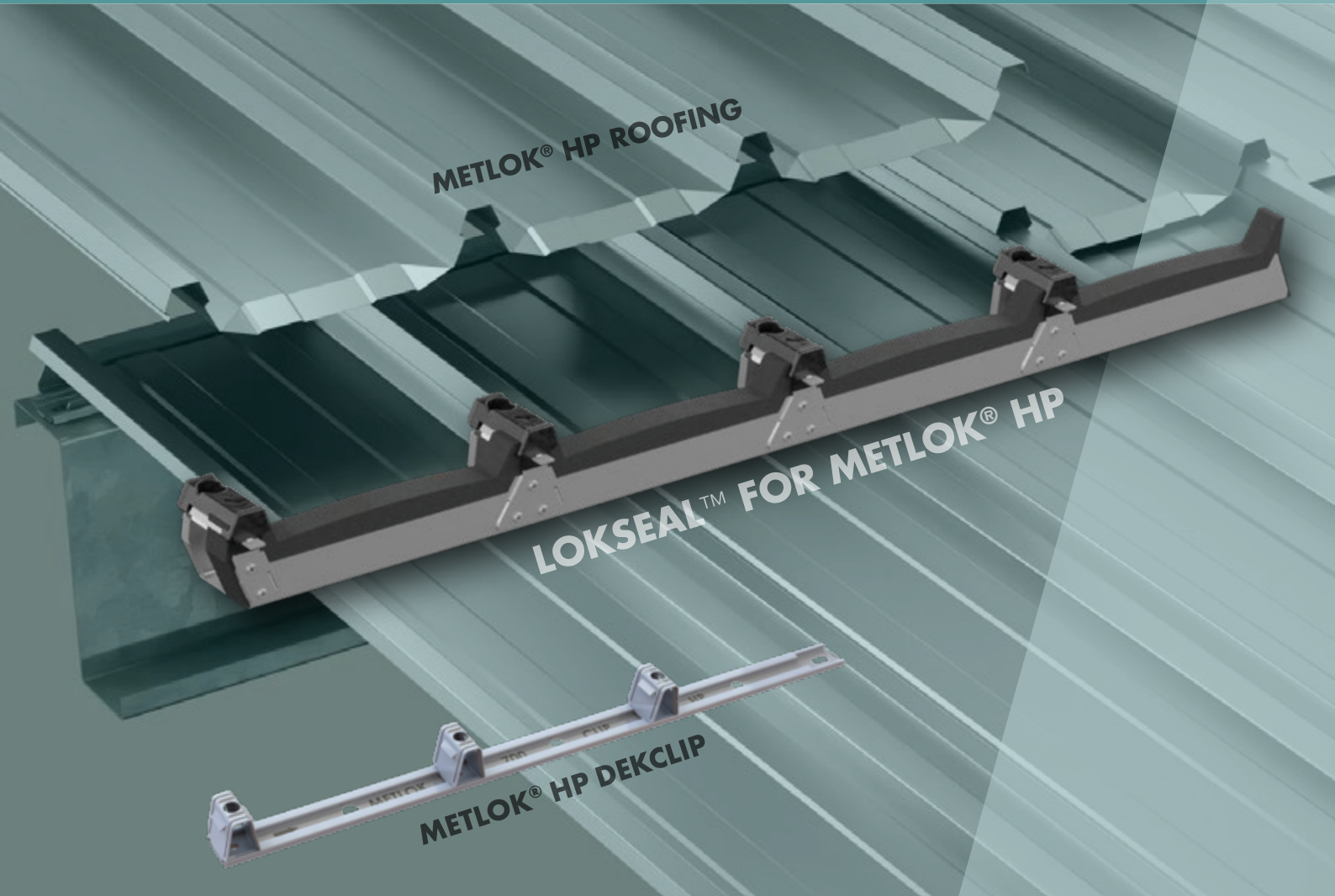




lokseal™

FOR METLOK® HP ROOFING

ROOF LAP JOINT SYSTEM



METLOK® HP ROOFING

LOKSEAL™ FOR METLOK® HP

METLOK® HP DEKCLIP

A Met-TECH™ GUIDE

NOVEMBER 2025



Metroll®

BETTER SERVICE • BETTER BUILDING SOLUTIONS



lokseal™
METLOK® HP EDITION



For Metlok 700® VG4 Roofing, refer to the **LOKSEAL FOR METLOK 700® VG4 brochure**

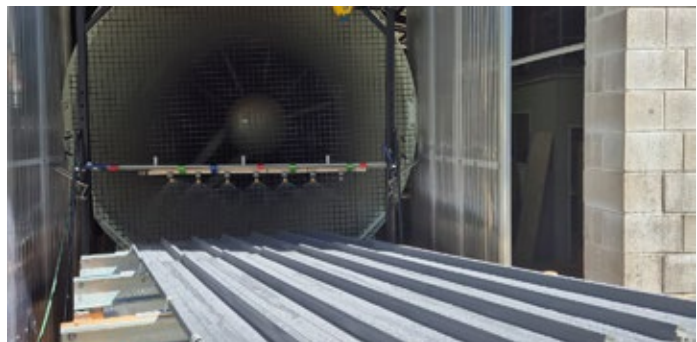
WHAT IS LOKSEAL™ METLOK® HP EDITION?

LOKSEAL™ is a patented roof lap joining and sealing system for Metlok® HP roofing, providing roofing installers with a fast and easy, cost effective solution to long-length roof sheet spans. LOKSEAL™ is a high-strength steel clip that has been tested to withstand the rigours of high wind and rainfall events.

TESTED AT JAMES COOK UNIVERSITY CYCLONE TESTING STATION

Uplift tested to comply with Australian Standards AS/ NZS 1170.2. Testing for LOKSEAL™ was undertaken at James Cook University (JCU) Cyclone Testing Station. The objective was to evaluate the lap expansion/ seal joint's ability to withstand extreme weather conditions, specifically those associated with 1 in 100 year maximum rainfall events and wind loads, in accordance with Australian Standard AS3500.3.

The test simulated a worst-case scenario involving rainfall runoff rates of approximately 10 litres per metre per minute and wind speeds ranging from 55 to 60 km/h. These wind forces were applied at an angle parallel to the roof sheet surface (i.e., 0 degrees), representing the most severe wind-driven rain conditions. Testing was conducted with a turned-down overlap sheet to replicate standard installation practice.

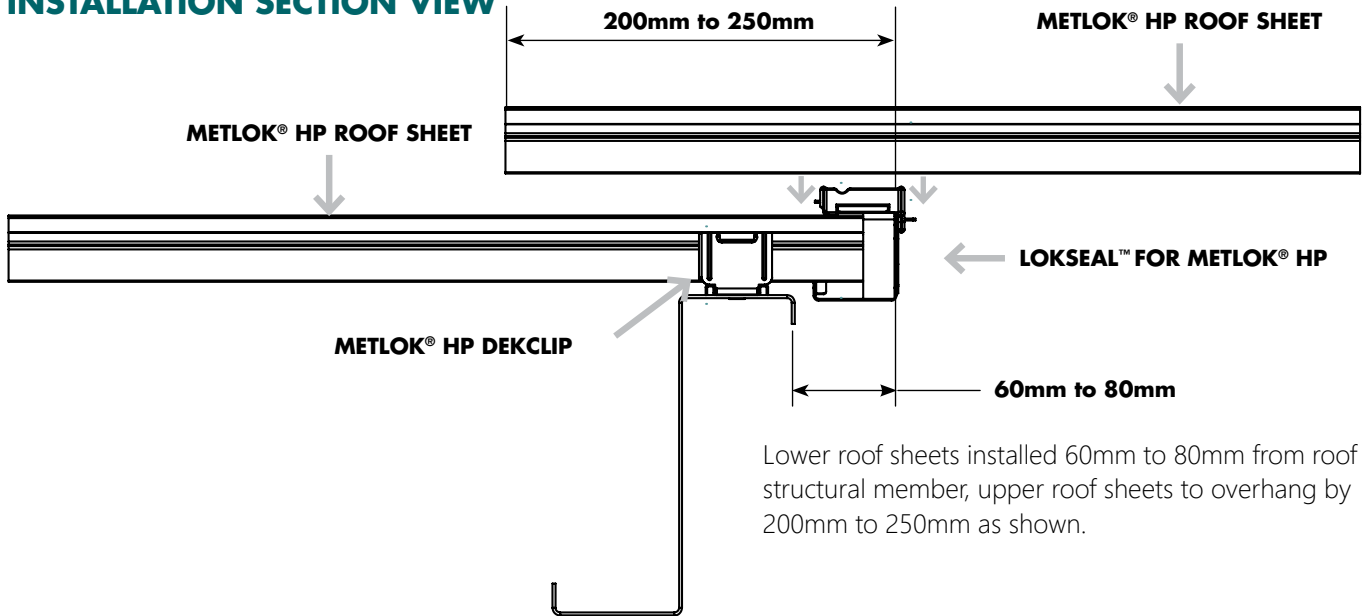


What is Met-TECH™?

Met-TECH™ is Metroll's Technical Resource Centre. It is the one stop shop for all of Metroll's product and technical information. Perfect for builders, contractors and specifiers to source all the information they may require. You can find other Met-TECH™ items on our website

www.metroll.com.au/resources

INSTALLATION SECTION VIEW

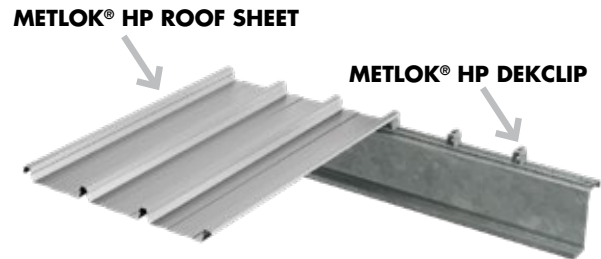


Lower roof sheets installed 60mm to 80mm from roof structural member, upper roof sheets to overhang by 200mm to 250mm as shown.

INSTALLATION STEPS FOR METLOK® HP ROOF SHEETS

STEP 1

Do not turn up the underlapping sheet. Install the Metlok® HP Dekclip and fit the roof sheets allowing for an overhang past the support purlin of 60 - 80mm. Fasteners and installation should be as per the Metlok® HP Design and Installation Guide.



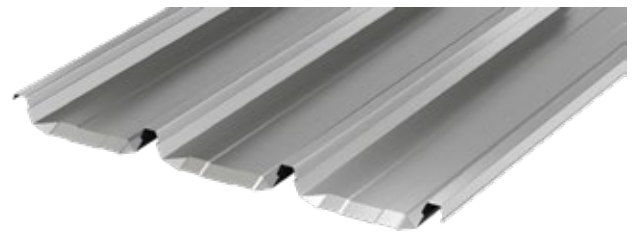
STEP 2

Slide the LOKSEAL™ length into the ribs of the Metlok® HP roof sheet. Tek screw through each LOKSEAL™ clip tower to securely attach the LOKSEAL™ to the roof sheet. Fastener type is the same as used in Step 1. Continue this step down the length of the lower run of roof sheets. Ensure LOKSEAL™ is pressed against the roof sheet when fixing tek screws to achieve seal.



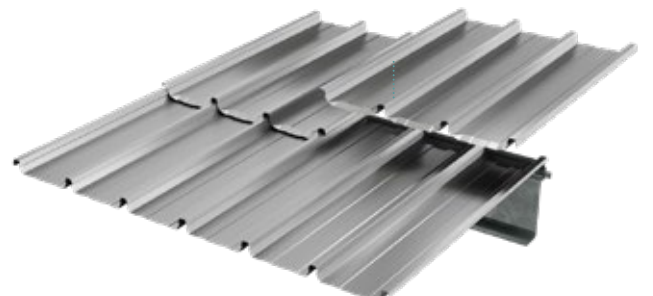
STEP 3

Turn down the pan section of upper run of roof sheets.



STEP 4

Install the upper run of Metlok® HP roof sheets, LOKSEAL™ is then encased between the joining roof sheets and forms a strong connection and sealed joint of the upper and lower roof sheets.



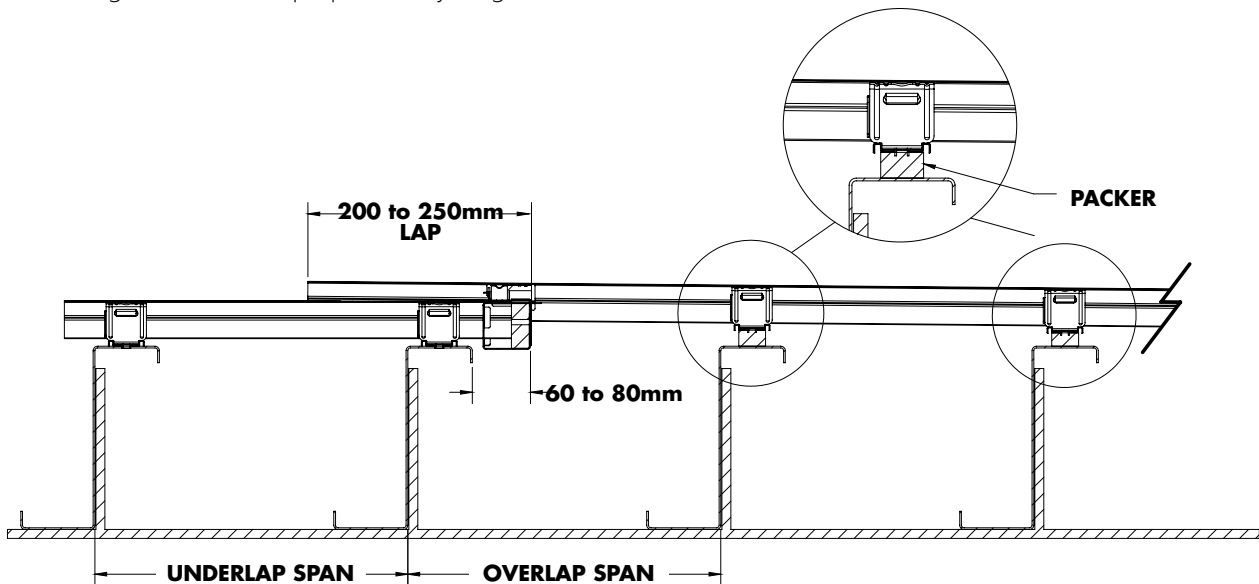
SPAN PRESSURES & DESIGN NOTES

When LOKSEAL™ Metroll® HP Edition is used in conjunction with the Metlok® HP roof system, spans, pressures and design notes in the Metlok® HP Design and Installation Guide remain unchanged with the following conditions:

- The lapping spans at each joint shall be regarded as end spans for the purpose of determining wind and foot traffic capacity.
- Any roof penetration must be a minimum distance of 1500mm from a Lokseal roof lap joint.
- At low roof pitches the overlapping end span may require the use of packers below the fixing clips on at least the next purlin up from the joint. Table A gives the minimum overlapping span for the roof pitch and packer thickness. If 10mm packers are used on the first purlin upstream, and 5mm packers on the second purlin, then the minimum end span drops to approximately 500mm regardless of roof pitch. Where a packer is used the screw length needs to be proportionally longer

TABLE A - MINIMUM OVERLAPPING ROOF SPAN mm

ROOF PITCH	PACKER THICKNESS		
	0 mm	5 mm	10 mm
1°	1950	1450	1000
2°	750	550	400
3°	450	350	250



30 Metroll Branches Nationwide

Visit our website
metroll.com.au



All reasonable care has been taken in the compilation of the information contained in this brochure. All recommendations on the use of Metroll products are made without guarantee as conditions of use are beyond the control of Metroll. It is the customers responsibility to ensure that the product is fit for its intended purpose and that the actual conditions of use are suitable. Metroll pursues a policy of continuous development and reserves the right to amend specifications without prior notice. The Metroll M and Logo are registered trademarks of Metroll. COLORBOND®, ZINCALUME®, GALVSPAN® steels are all registered trademarks of BlueScope Steel Limited.