

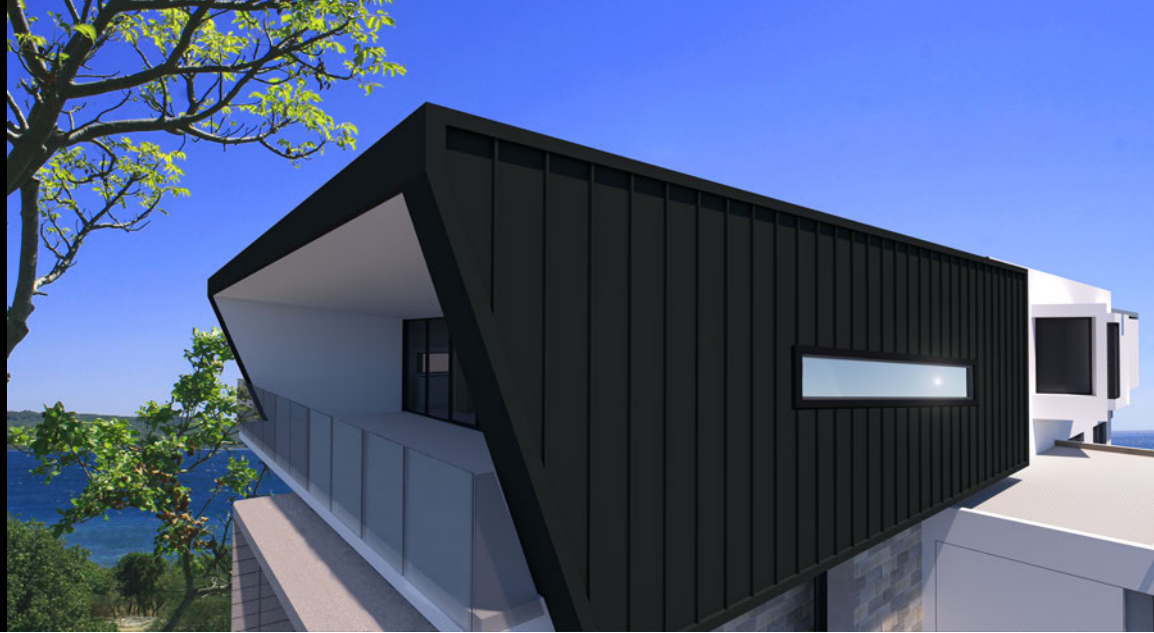
metroll architectural collection

Innovative & Contemporary
Roofing & Walling Products



Colorbond®

 **Metroll®**
BETTER SERVICE • BETTER BUILDING SOLUTIONS

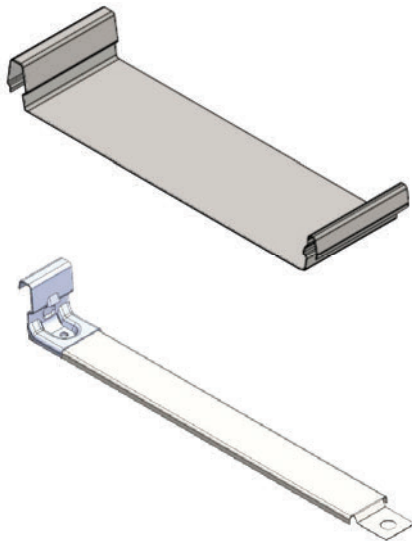


MAC - the Metroll Architectural Collection - is a range of contemporary roofing and walling products created specifically with leading edge design in mind. The many options for material and application provide limitless scope for design, and the quick and easy installation saves cost and time.

MAC Distinction®



**DESIGN WITH
DISTINCTION®**
BUILD WITH STYLE



MAC Distinction® roofing and walling is an innovative concealed fix panel system with a vast range of design applications for residential and commercial projects.

This exceptional product has received a phenomenal response due to its long lines, abundant capacity for creative application and ease of install.

| | |
|---------------------|--|
| Panel Widths | 322 mm |
| Rib Height | 42 mm |
| Panel Length | Up to 20 m. Longer lengths available. Restrictions may apply. |

MAC DISTINCTION® - ROOFING (NON CYCLONIC)

| BMT mm | Steel Base MPa | Min. Pitch | MAX SPANS mm | |
|-----------|-------------------|---------------|--------------|----------|
| | | | End | Internal |
| 0.55 | G300 | 1° | 900 | 1200 |

MAC DISTINCTION® - WALLING

| | | | | |
|------|------|---|------|------|
| 0.55 | G300 | - | 1200 | 1500 |
|------|------|---|------|------|

CLIPS & FASTENERS

MAC Distinction® is fixed to supports by Distinction® Clips.

TIMBER SUPPORTS - HARD OR SOFT

| | |
|------------------------------|--|
| ROOFING & WALLING | M6 - 11 x 25 mm Hex Head w Seal or Type 17 x 25 mm Hex Head |
|------------------------------|--|

STEEL SUPPORTS < 1.9 mm BMT

| | |
|------------------------------|--------------------------|
| ROOFING & WALLING | M6 - 11 x 25 mm Hex Head |
|------------------------------|--------------------------|

STEEL SUPPORTS TO METAL BATTENS (0.55 - 1.0 mm)

| | |
|------------------------------|--|
| ROOFING & WALLING | M6 - 11 x 25 mm or 10 - 16 mm Hex Head Metal Tekes w Seal |
|------------------------------|--|

MATERIAL AVAILABILITY

COLORBOND® Steel
COLORBOND® Ultra
COLORBOND® Matt
COLORBOND® Stainless Steel

REDCOR® Weathering Steel
Copper
Aluminium

MAC Nail Strip



MAC Nail Strip roofing and walling is a concealed fix profile ideal for modern and traditional architectural façades.

MAC Nail Strip has an adjustable recessed pan with a raised seam of either 25 mm or 38 mm. The effect of a structure covered with this cladding is a series of continuous wide bands neatly framed by thin ribs.

| | |
|---------------------------|--|
| Pan Widths | 200 to 465 mm |
| Rib Height | 25 mm and 38 mm |
| Panel Length | 1000 to 8000 mm. Restrictions may apply. |
| Minimum Roof Pitch | 7.5° |

CLIPS & FASTENERS

MAC Nail Strip uses concealed fasteners along the perforated edge to secure the panel to the sub-structure. The next panel simply clips on.

| | |
|----------------------|---|
| STEEL BATTEN | 1 x 10g - 16 x 16 Wafer Head Screw |
| TIMBER BATTEN | 10 - 12 x 25 mm Wafer Head Wood Screw w/#2 Phillips Slot @ 100 mm CTS |

MATERIAL AVAILABILITY

COLORBOND® Steel
 COLORBOND® Ultra
 COLORBOND® Matt
 REDCOR® Weathering Steel
 Copper
 Aluminium

MAC Snap Lock



MAC Snap Lock roofing and walling is a concealed fix profile with an adjustable pan and a raised seam.

MAC Snap Lock is similar to MAC Nail Strip in appearance but uses a robust clip system for fast and simple installation. Male and female ribs snap together to create a strong sealed joint making MAC Snap Lock ideal for buildings exposed to severe weather.

| | |
|---------------------------|---|
| Pan Widths | 200 to 465 mm |
| Rib Height | 25 mm and 38 mm |
| Panel Length | 1,000 to 18,000 mm. Restrictions may apply. |
| Minimum Roof Pitch | 7.5° |

CLIPS & FASTENERS

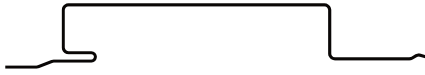
MAC Snap Lock uses concealed fasteners and requires no specialised tools for installation.

| | |
|----------------------|--|
| STEEL BATTEN | 2 x 10g - 16 x 16 Tri Fix Flat Top Screws per Clip |
| TIMBER BATTEN | 2 x 10g - 16 x 16 Wafer Head Screw per Clip |

MATERIAL AVAILABILITY

COLORBOND® Steel
 COLORBOND® Ultra
 COLORBOND® Matt
 COLORBOND® Stainless Steel
 REDCOR® Weathering Steel
 Copper
 Aluminium

MAC Interlocking Panel



MAC Interlocking Panel walling is a concealed fix profile recognised by its shadow-line express joint.

MAC Interlocking Panel can be installed horizontally, vertically or diagonally to create an ultra-modern and streamlined aesthetic. Panel width and express joints can be customised, giving flexibility on complex designs.

| | |
|-----------------------------|---|
| Standard Panel Cover | 200 mm, 250 mm and 300 mm |
| Panel Widths | 190 to 580 mm. Custom widths available. |
| Rib Height | 25 mm |
| Panel Length | 500 to 8000 mm. Restrictions may apply. |
| Express Width | 0, 5, 10, 15 or 20 mm |

FASTENERS

MAC Interlocking Panel is fastener fixed through the female tab.

| | |
|----------------------|---------------------------------|
| STEEL BATTEN | 10 mm x 16 mm Flat Head Class 3 |
| TIMBER BATTEN | 10 mm x 25 mm Flat Head Class 3 |

MATERIAL AVAILABILITY

COLORBOND® steel
 COLORBOND® Ultra
 COLORBOND® Matt
 COLORBOND® Stainless Steel
 REDCOR® Weathering Steel
 Copper
 Aluminium

OIL CANNING

Oil Canning is an inherent characteristic of non-ferrous metals with broad flat areas. The Architect, Builder and Homeowner needs to be aware that Oil Canning may affect the overall aesthetic outcome. There are measures that can be taken during design and installation to minimise the risk, such as ensuring the plywood is flush, the panels are fixed vertically, limiting the continuous length of each panel and reducing the size of the pan. For more information please contact your Metroll branch.



METROLL PERTH
 5 Chilver St
 Kewdale
 WA 6105
 P: 08 9365 5444

METROLL BUNBURY
 11 Proffit St
 Bunbury
 WA 6230
 P: 08 9796 9796

METROLL ALBANY
 179 Chester Pass Rd
 Albany
 WA 6330
 P: 08 9841 6966

All reasonable care has been taken in the compilation of the information contained in this brochure. All recommendations on the use of Metroll products are made without guarantee as conditions of use are beyond the control of Metroll. It is the customers responsibility to ensure that the product is fit for its intended purpose and that the actual conditions of use are suitable. Metroll pursues a policy of continuous development and reserves the right to amend specifications without prior notice. The Metroll M and Logo are registered trademarks of Metroll. COLORBOND®, ZINCALUME®, REDCOR® steels are registered trademarks of BlueScope Steel Limited.

MAC_WA_APR21

