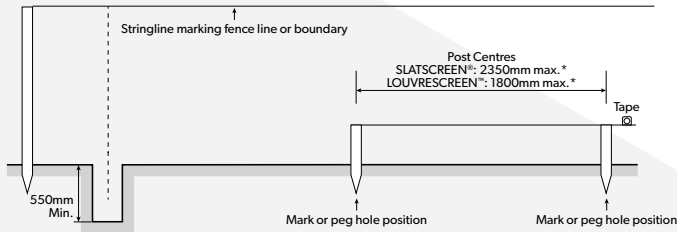


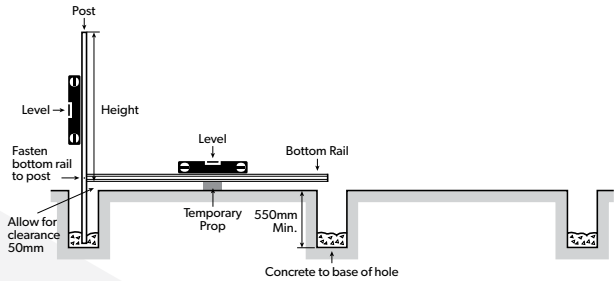
INSTALLATION GUIDE

STEP 1



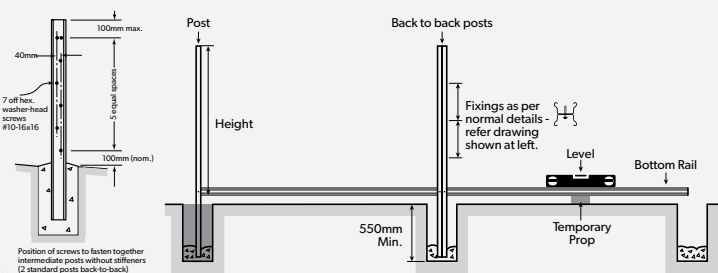
Using a stringline for alignment, locate and dig 200mm diameter holes at 2350mm max.* for LYSAGHT SLATSCREEN® and 1800mm max.* for LYSAGHT LOUVRESCREEN® centres.

STEP 2



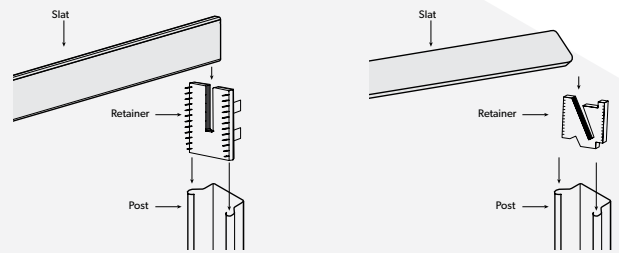
For first panel, position bottom universal fence rail with the aid of a temporary prop and fasten to post using #10-16x16 hex. head screws on either side of post. NOTE: when installing LYSAGHT SLATSCREEN® or LYSAGHT LOUVRESCREEN® the bottom rail should be installed inverted, with the opening in the rail facing downward.

STEP 3



Secure two standard fence posts back-to-back and fasten with #10-16x16 hex. head screws as per the details in drawing above, allowing for step if required. Continue to fix bottom universal fence rails to posts with the aid of a temporary prop, checking 50mm clearance and level.

STEP 4



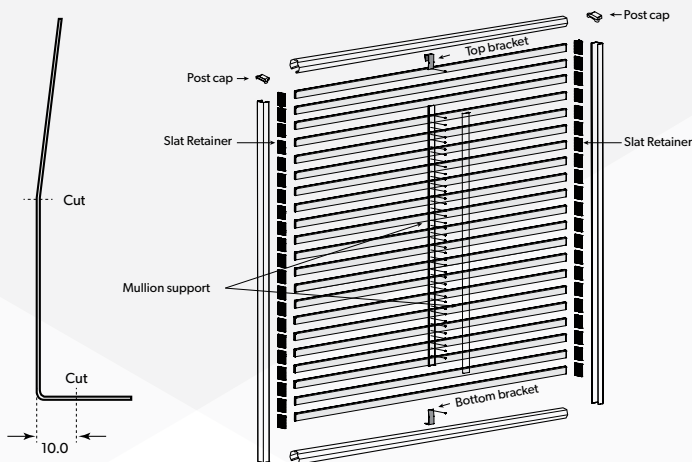
LYSAGHT SLATSCREEN®

If installing a panel with 10mm or 20mm slat spacing, cut down the size of slat retainers using the marked increments on the retainer as a guide. Insert one slat retainer each into top of two facing fence posts. Insert one slat down to sit in the two slat retainers. Repeat this process to build the full panel of slats.

LYSAGHT LOUVRESCREEN®

Insert one left-facing louvre slat retainer into the top of the left fence post and one right-facing louvre slat retainer into the top of the right post. Insert one slat down to sit into the two slat retainers. Repeat this process to build the full panel of slats.

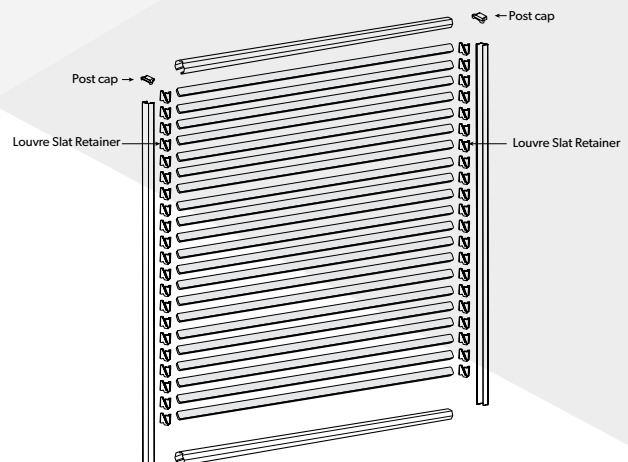
STEP 5



LYSAGHT SLATSCREEN®

Locate two centre support mullion brackets, as shown in drawing at left above. Cut ONE of the brackets as shown above. Place the now cut bracket onto the bottom rail, in the centre of the panel. Place the uncut bracket into the top rail. Secure one half of the centre support mullion over the two brackets and fasten each slat to the mullion using 8x12 button head screws – two per slat. Place other half of centre support mullion over the other to conceal the fixings to each slat. Secure with pop rivets.

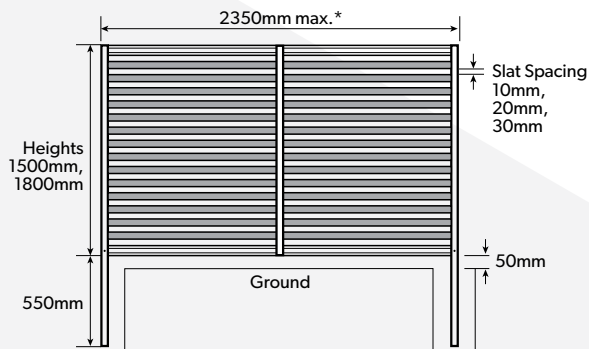
Notes: *Maximum post centre measurements stated. Availability of rail lengths to suit maximum post centre measurements stated may vary between regions. Contact your nearest Lysaght branch or screening distributor for more information.



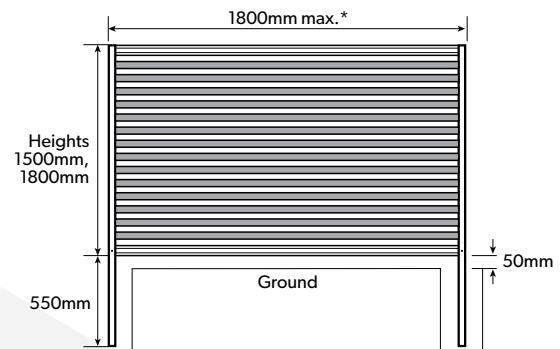
LYSAGHT LOUVRESCREEN®

Position top rail to post using 10x16 TEK screws on either side of post. Insert post caps and fix.

LYSAGHT SLATSCREEN®



LYSAGHT LOUVRESCREEN®



ORDER GUIDE

LYSAGHT SLATSCREEN® Fence Height (mm)	1800			1500		
Slat Spacing (mm)	10	20	30	10	20	30
LYSAGHT® Fence Posts	2	2	2	2	2	2
LYSAGHT® Universal Rail	2	2	2	2	2	2
Slats	21	19	17	18	15	14
Slat retainers	42	38	34	36	30	28
Post cap	1	1	1	1	1	1
Centre support mullion	1	1	1	1	1	1
Centre support mullion brackets	2	2	2	2	2	2
Self-drilling hex. Head screws #10-16x16	8	8	8	8	8	8
Button head screws 8x12	42	38	34	36	30	28
Pop rivets	2	2	2	2	2	2

LYSAGHT LOUVRESCREEN® Fence Height (mm)	1800	1500
LYSAGHT® Fence Posts	2	2
LYSAGHT® Universal Rail	2	2
Slats	26	22
Left-sided louvre slat retainers	26	22
Right-sided louvre slat retainers	26	22
Post cap	1	1
Self-drilling hex. Head screws #10-16x16	8	8

Notes: *Maximum post centre measurements stated. Availability of rail lengths to suit maximum post centre measurements stated may vary between regions. Contact your nearest Lysaght branch or screening distributor for more information.

DISCLAIMER, WARRANTIES AND LIMITATION OF LIABILITY

This publication is intended to be an aid for all trades and professionals involved with specifying and installing Lysaght products and not to be a substitute for professional judgement.

Terms and conditions of sale available at local Lysaght sales offices.

Except to the extent to which liability may not lawfully be excluded or limited, BlueScope Steel Limited will not be under or incur any liability to you for any direct or indirect loss or damage (including, without limitation, consequential loss or damage such as loss of profit or anticipated profit, loss of use, damage to goodwill and loss due to delay) however caused (including, without limitation, breach of contract, negligence and/or breach of statute), which you may suffer or incur in connection with this publication.

FOR YOUR NEAREST SUPPLIER VISIT:

WWW.LYSAGHT.COM

FOR SALES ENQUIRIES CALL 13 30 38

FOR TECHNICAL ENQUIRIES CALL 1800 641 417

© BlueScope Steel Limited 19 September 2019.

® product and colour names are registered trade marks of BlueScope Steel Limited. ™ product and colour names are trade marks of BlueScope Steel Limited ABN 16 000 011 058. The LYSAGHT® range of products is exclusively made by BlueScope Steel Limited trading as Lysaght.