

LYSAGHT

RESIDENTIAL RANGE

ROOFING, GUTTERING & FASCIA



INSPIRATION TO BUILD BETTER

RESIDENTIAL INSPIRATIONS WITH LYSAGHT

Across the spectrum of our built environment steel has proven to be a transformative material blending aesthetic appeal with practical resilience.

From the heart of our urban streetscape to the serene outlines of rural terrains, steel building products have left an indelible mark on Australia's architectural landscape. This elemental force in contemporary design is both timeless and cutting-edge, offering unparalleled durability, performance, and a range of stunning shapes, colours and finishes.

At Lysaght, we have harnessed the strength of steel to produce an array of stylish roofing and walling profiles, supported by a host of ancillary products. Available in an ever-increasing colour palette, giving form to an architect's imagination and breathing life into their creative vision.

Throughout this compendium, you will find countless examples of inspired residential designs where LYSAGHT® steel roofing products have been specified for their exceptional aesthetic and performance properties.

Whether your design is contemporary or traditional in nature, the extensive array of LYSAGHT® steel profiles, in a myriad of colours, offers you endless possibilities in bringing that design to life.

LYSAGHT - SHAPERS OF COLORBOND® STEEL

COLORBOND® steel is Australian-made pre-painted steel that's supplied to Lysaght in large coils. Lysaght then shapes the COLORBOND® steel (through the process known as rollforming) into our range of roofing and walling products, gutters, fascia and downpipes, fencing systems, plus home improvement products such as verandahs, patios and carports.

Colorbond®



BUILD BETTER WITH LYSAGHT® STEEL ROOFING PRODUCTS

Whether you're building a new home or undertaking renovations or repairs, LYSAGHT® steel roofing offers a range of benefits that other materials can't match.

SUPERIOR PERFORMANCE RAIN, HAIL OR SHINE

Because steel sheets form a single roof surface from ridge to gutter, they are extremely weather resistant. Where other roofing materials may break in severe hailstorms and allow water to enter the roof, steel roofing will remain intact. LYSAGHT® steel roofing won't hold the heat like cement or concrete tiles, meaning your roof and home cool more quickly in summer.

GREATER DESIGN FREEDOM

With LYSAGHT® steel roofing you have the choice of a wide range of attractive profiles and colours to suit any home including;

- Contemporary
- Hamptons
- Coastal
- Country
- Heritage
- Federation
- Acreage
- Modern Steel Exteriors



Scan the code to view our complete look book collection

Each LYSAGHT® roofing profile is suitable down to a certain minimum roof pitch, or slope, including those seen on typical roof designs such as gable, hip and skillion roofs. And with the option of curved and tapering abilities on selected profiles, Lysaght give you greater freedom in roof design.

STRONG, DURABLE AND SECURE

The strength of LYSAGHT® steel roofing allows for long spans that can let you to create more open living spaces in your home. Because steel is fire-resistant, termite-proof and won't warp, you're ensured long-life, durable performance. Steel roofing sheets are securely fixed to every roof batten, unlike tiles that can be lifted to gain entry to your home.

THERMAL EFFICIENCY

Many people know that the colour of your roof can make a difference to your cooling bill and no less than five of the colours in the COLORBOND® steel range qualify as solar reflective (light coloured) roofing under the Green Star Communities tool. But there's another way that COLORBOND® steel can help make your home more energy efficient. Every colour (except Night Sky®) in the standard COLORBOND® steel range features Thermatech® solar reflectance technology. Thermatech® technology is designed to reflect more of the sun's heat on hot, sunny days, which can mean less dependence on air-conditioning, plus reduced heat stress for your roof. The LYSAGHT® product range is available in the full range of COLORBOND® steel colours.

SUSTAINABILITY

At Lysaght, we manufacture our LYSAGHT® steel building products range from 100% Australian-made metallic coated and pre-painted steel. These ingredient steel products are durable and resilient to Australia's harsh climate and their long life helps conserve resources and energy that may otherwise be invested in products with a shorter life span. All LYSAGHT® steel building products contain recycled content and the steel in LYSAGHT® products is 100% recyclable. In some cases it can be reused without reprocessing, again saving on energy and resource use.

QUICK AND EFFICIENT CONSTRUCTION

Because steel is a relatively lightweight material your roof may require less structural support, meaning reduced construction time and material savings. Less weight also means less stress on the building's structure, minimising the risks of your walls cracking and roof sagging. Unlike tiles that require additional equipment and handling, construction is quicker and easier with steel roofing as it can be lifted on site in long lengths - simplifying installation.

FROM COUNTRY TO COAST, THERE'S A LYSAGHT PRODUCT TO MEET EVERY CHALLENGE



No matter where you're building, LYSAGHT® steel roofing can be shaped from a grade of COLORBOND® steel perfectly suited for the local environmental conditions.

WHERE TO USE WHICH LYSAGHT® ROOFING PRODUCT

While standard COLORBOND® steel will accommodate the roofing, walling and guttering needs of homes built in most locations, specialist materials are also available to suit more demanding environments such as those by the sea or areas prone to industrial emissions. Lysaght can help you with choosing the correct grade of cladding product. Opposite is a quick guide to which grade may be most suitable for your home, depending upon its location.

ROOFING FOR CHALLENGING ENVIRONMENTS

SUPERDURA® STAINLESS STEEL:

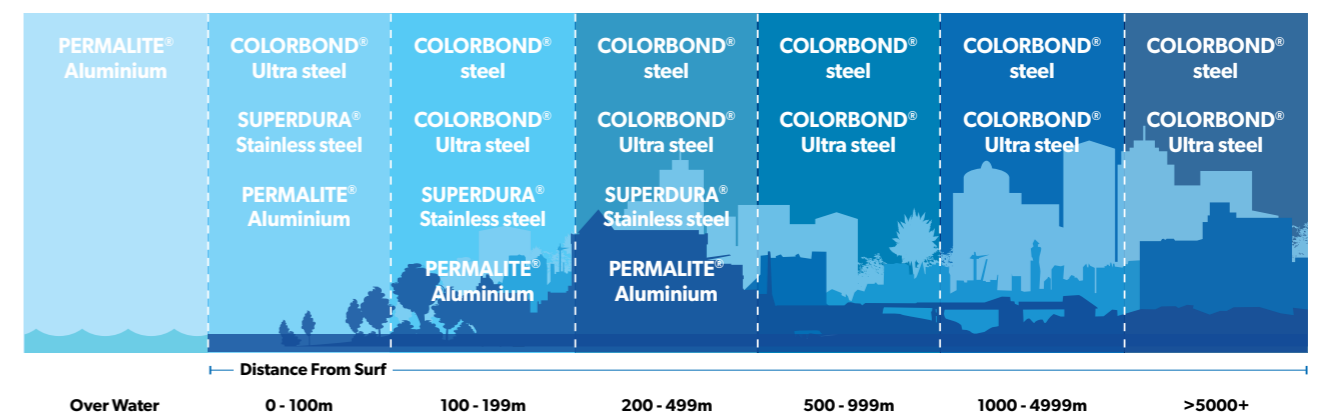
- Coastal sites within 100 metres of breaking surf where there is a constant salty smell and salt spray in the air
- Sites within proximity to industrial emissions

COLORBOND® ULTRA STEEL:

- Coastal sites approximately 100 to 200 metres from breaking surf where there may still be a smell of salt or salt spray in the air
- Sites situated 100 to 200 metres from the source of industrial emissions (fumes and/or particulate fallout) where the effects are typically lessened

PERMALITE® ALUMINIUM:

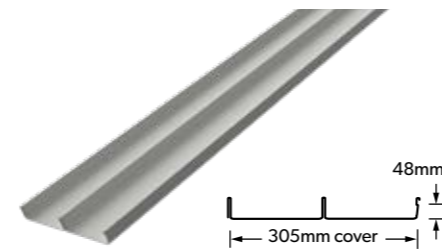
- For severe marine, industrial and commercial environments



ROOFING SHAPED FROM COLORBOND® STEEL

LONGLINE 305®

Extremely popular amongst architects, builders, and property owners-alike, this striking cladding features slender, high ribs that make a dramatic statement on any building. Using a concealed fixing system to maintain its clean lines the bold rib profile of LONGLINE 305® create a dramatic shadowing effect as sunlight moves across the roof or wall, and the profile is adept at bold roof-to-wall transition designs.



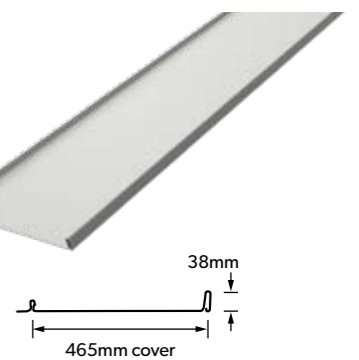
ENSEAM®

Broad, flat pans and a lower, yet substantial rib combine to form yet another distinct visual dynamic in ENSEAM® cladding. While possessing clean and striking good looks, this profile also has an easy style that makes it a very versatile cladding solution for contemporary architectural designs.

ENSEAM® 265mm



ENSEAM® 465mm



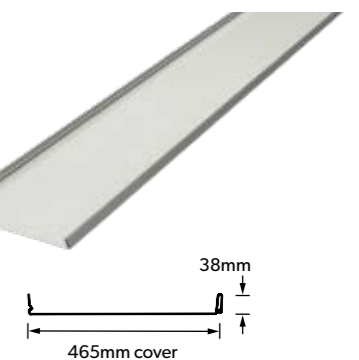
SNAPSEAM™

Featuring the striking linear appearance of ENSEAM®, SNAPSEAM™ delivers improved performance attributes thanks to its concealed fixing system. These clips allow for enhanced thermal expansion and contraction, provide greater fixing security, and allow for longer lengths and greater spanning capacity.

SNAPSEAM™ 265mm



SNAPSEAM™ 465mm





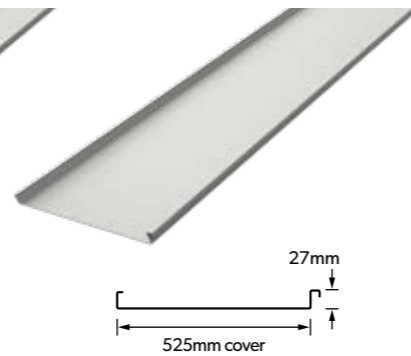
IMPERIAL™

Featuring broad, flat pans and slender, well-defined ribs, cleanly elegant IMPERIAL™ standing-seam cladding complements virtually any architectural design. Combine those good looks with a curving capacity not readily achieved in other cladding profiles, and you have the ultimate profile for versatility and style.

IMPERIAL™ 325mm



IMPERIAL™ 525mm



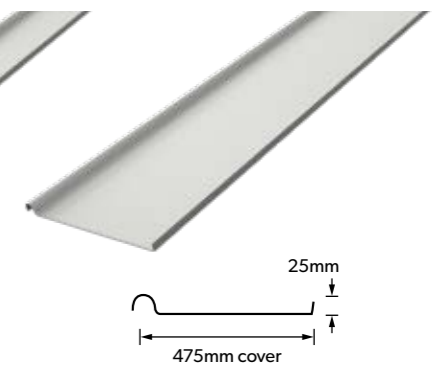
BAROQUE™

A heritage-inspired profile, BAROQUE™ features wide, flat pans defined by generous semi-circular ribs. At once delivering a strong linear visual which is gentled by the rounded rib-form, BAROQUE™ offers a most unique visual character which sites easily with both traditional and contemporary architecture.

BAROQUE™ 275mm SINGLE RIB



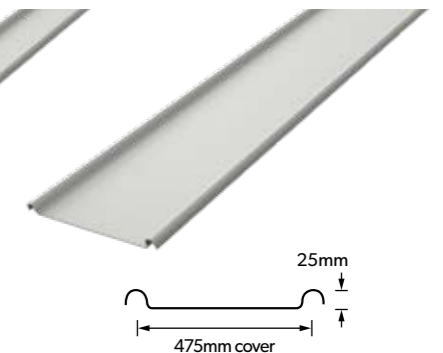
BAROQUE™ 475mm SINGLE RIB



BAROQUE™ 275mm DOUBLE RIB

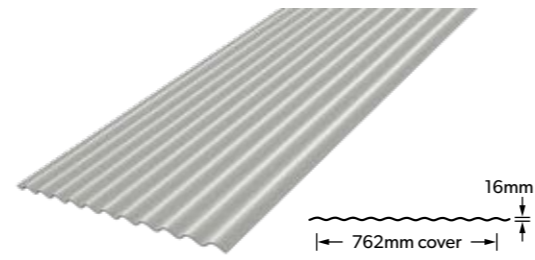


BAROQUE™ 475mm DOUBLE RIB



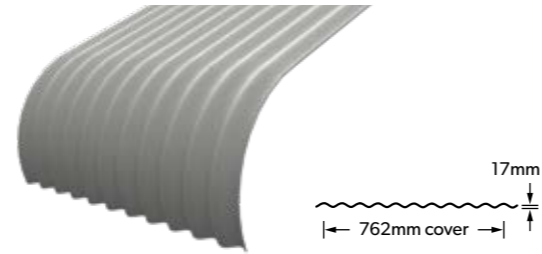
CUSTOM ORB®

Delivering a pleasing textual visual with its uniform 'ripple', CUSTOM ORB® is the famous and original LYSAGHT® corrugated profile which others can only imitate. A long, wide, strong, lightweight, and economical profile, CUSTOM ORB® offers the versatility of being laid flat or spring curved and is equally at ease in both traditional and contemporary architecture.



CUSTOM BLUE ORB®

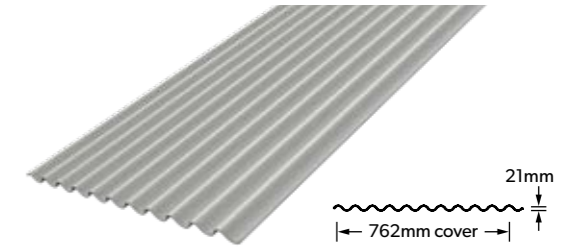
CUSTOM BLUE ORB® is the corrugated profile suitable for curving and is the perfect match to harmonise with CUSTOM ORB®. Manufactured from thicker, ductile steel, it is used in roofing and walling applications where bull nosing or an array of other curving designs are required.



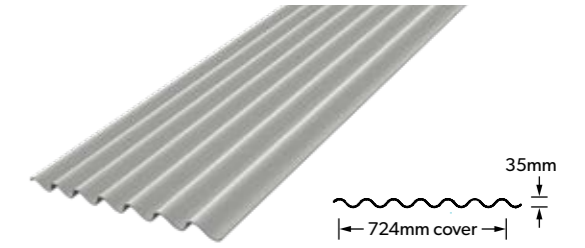
CUSTOM ORB ACCENT®

CUSTOM ORB ACCENT® 21 is the perfect alternative to traditional corrugated steel roofing and walling. The deeper profile of CUSTOM ORB ACCENT® 21 not only gives a striking visual effect but delivers real benefits to the architect, builder, and owner alike.

CUSTOM ORB ACCENT® 21



CUSTOM ORB ACCENT® 35





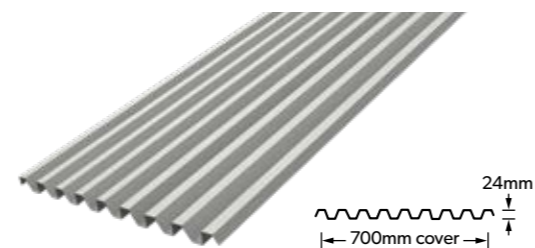
TRIMDEK®

Featuring conventional, trapezoidal ribs and subtle fluting in the pans, TRIMDEK® provides any project with a clean and simple yet pleasing finish. A lightweight and economical profile, TRIMDEK® cladding benefits from an excellent spanning capacity permitting wide support spacings and remarkable recovery after deformation, aiding maintenance requirements.



SPANDEK®

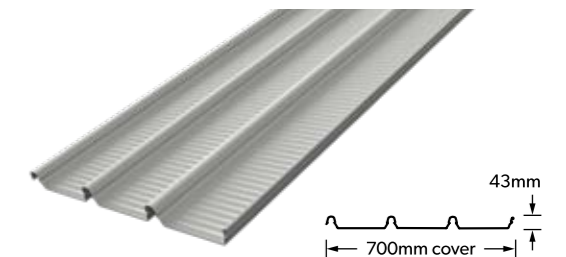
The contemporary-looking, square-corrugated profile of SPANDEK® is ideal where a stronger, bolder, and more modern corrugated appearance is required. Combining strength with lightness and rigidity, this popular cladding delivers durability, impact-resistance, and economy with richly textured good looks.



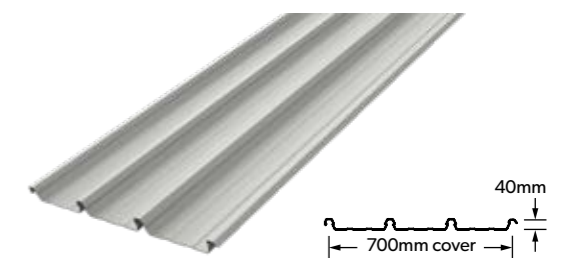
KLIP-LOK®

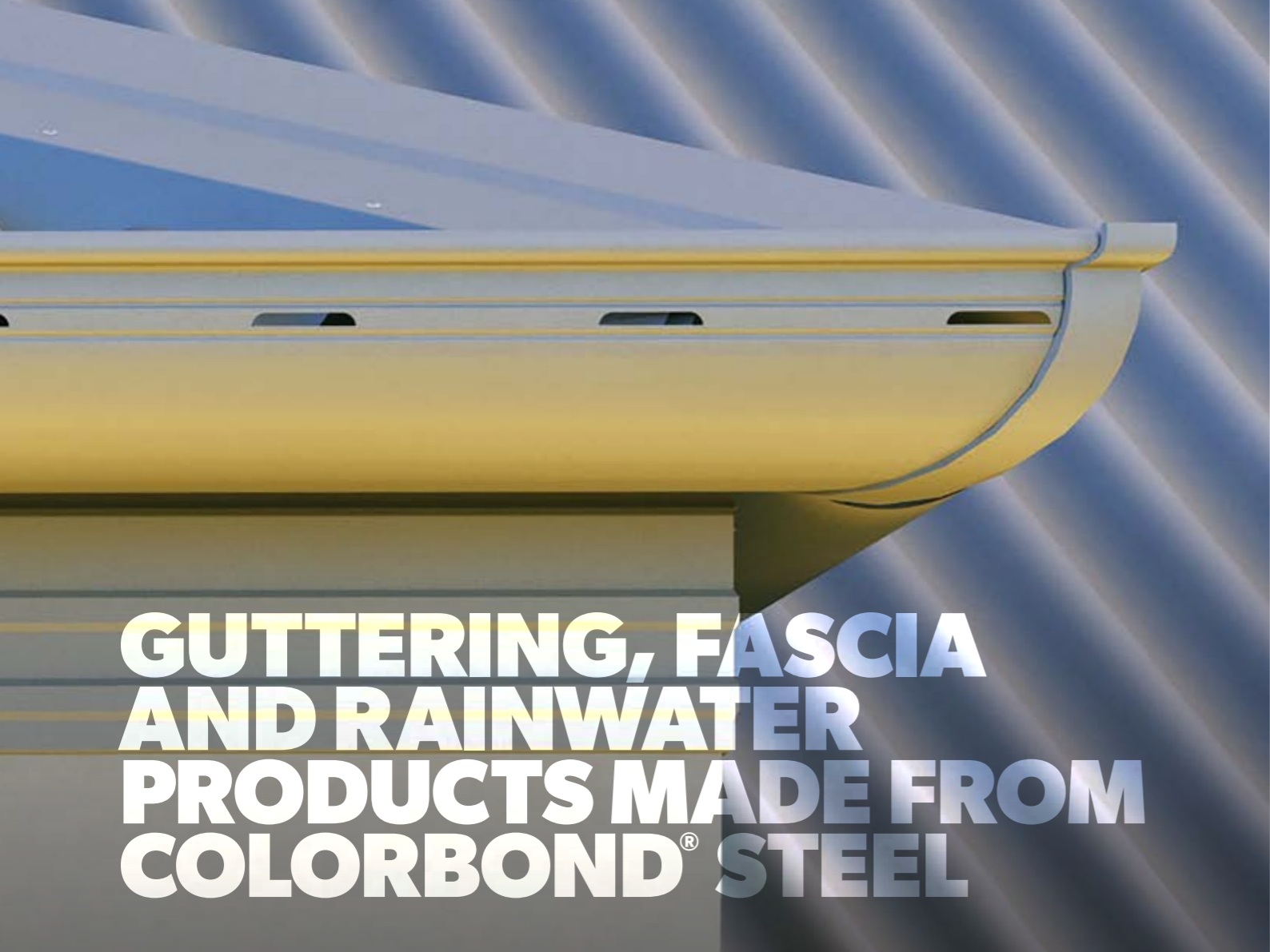
KLIP-LOK 700 HI-STRENGTH® and KLIP-LOK 700 CLASSIC® are wide-cover concealed fixed cladding profiles offering long spans and excellent uplift performance. They feature substantial, bold ribs rising from wide, transverse fluted pans. Installed using advanced clips, these profiles are ideally suited to near flat roof sections of both commercial buildings and warehouses, as well as residential buildings.

KLIP-LOK 700 HI-STRENGTH® (TRANSVERSE FLUTES)



KLIP-LOK 700 CLASSIC®





GUTTERING, FASCIA AND RAINWATER PRODUCTS MADE FROM COLORBOND® STEEL

LYSAGHT® guttering, fascia and rainwater products are available in a wide range of vibrant, contemporary COLORBOND® steel colours or in unpainted ZINCALUME® steel. All LYSAGHT® products are available with a full range of accessories including brackets and stop ends.

QUAD

Classic shaped steel gutters adaptable to both modern and older style houses, patios, carports, and sheds.



QUARTER ROUND

Curved-front steel gutter suitable for contemporary and modern style houses.



OGEE™

Traditionally shaped steel gutters suited to heritage style houses.



SHEERLINE®

Square-fronted steel guttering suitable for houses, patios, carports and sheds.



EMLINE®

High capacity square-fronted steel gutter.



TRIMLINE®

Square-fronted steel guttering suitable for patios and carports.



FITFAST®

High capacity and quick-to-install square-fronted steel gutter.



COLONIAL®

Traditionally shaped steel gutter suited to heritage style houses.



SHORELINE®

Taper-fronted steel gutter suitable for contemporary and modern style houses.



RANCELINE®

Taper-fronted steel gutter suitable for contemporary and modern style houses.



HALF ROUND

Curved-base steel gutters suitable for modern style houses and commercial buildings.



FLAT BACK



NOVALINE® FASCIA

Steel fascia system compatible with an extensive range of LYSAGHT® gutters.



NOVALINE® FASCIA COVER

Steel fascia cover suitable for covering warped, discoloured, or peeling timber fascia.





ROOFING SHAPED FROM PERMALITE® ALUMINIUM

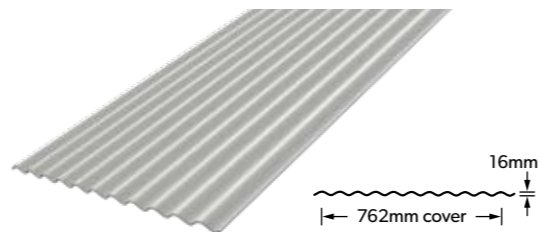
For use in marine and other challenging environments, PERMALITE® aluminium is a long lasting, durable, lightweight alternative to other roofing materials, unique in its ability to remain corrosion free with minimal maintenance.

WAVELINE®

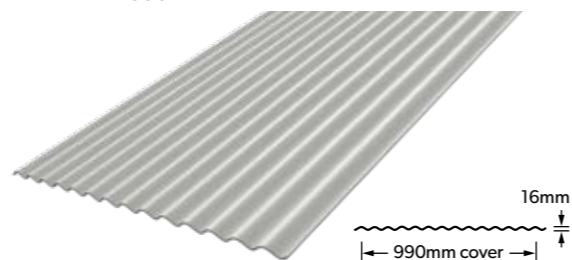
Owing to its classic Australian corrugated shape with all the durability benefits associated with aluminium, WAVELINE® is a smart choice for coastal homes and other buildings seeking an iconic appearance with the durability benefits of aluminium. WAVELINE® is available in two cover width options – standard 762mm cover width, or 990mm for greater installation economy.



WAVELINE® 762mm

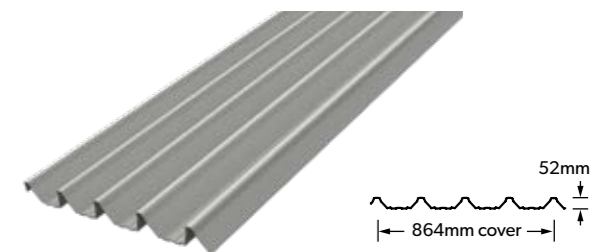


WAVELINE® 990mm



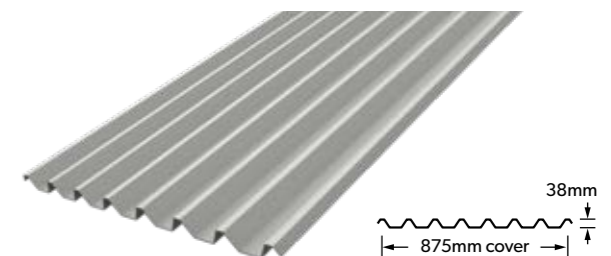
ALSPAN®

The bold ribs and wide pans of ALSPAN® offer a well-defined appearance on large roof planes requiring an aluminium solution. Combined with advantages including a long spanning capability, large rainwater-carrying capacity, and an ability to be used at low roof, ALSPAN® is a high-performing roofing solution.



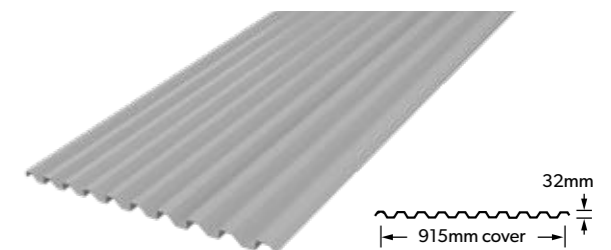
LT7®

Combining several advantages, including strength, water-carrying capacity, fixing economy and eave closure features, LT7® is a flexible aluminium roofing or walling option for a breadth of projects. Its spanning ability, lightness, and rigidity permit LT7® in achieving large support spacings, whilst also supporting safe handling and installation on-site.



V-RIB®

Featuring a neat, balanced appearance, the ability to be installed quickly and large cover width, V-RIB® is an effective aluminium roofing or walling option for many projects. With a neat balanced appearance on buildings, this profile is also effectively used as insulation jacketing in power stations and chemical processing plants.



GUTTERS, FASCIA AND ACCESSORIES FOR PERMALITE[®] ALUMINIUM

Lysaght also offer a comprehensive range of aluminium gutters, fascia and accessories to complement the PERMALITE[®] roofing profiles.

QUAD

Classic shaped steel gutters adaptable to both modern and older style houses, patios, carports, and sheds.



HALF ROUND

Curved-base aluminium gutters suitable for modern style houses and commercial buildings.



M STYLE

Square-fronted aluminium guttering suitable for houses, patios, carports and sheds.



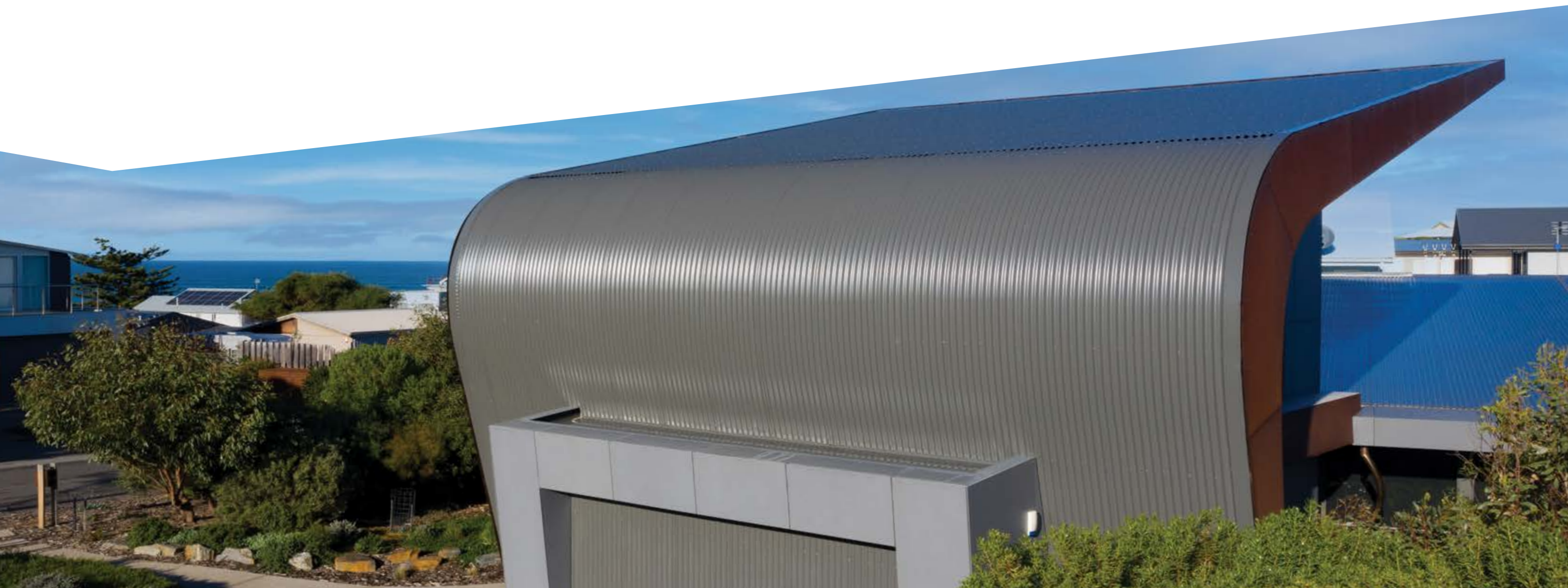
ALLULINE[™] FASCIA COVER

Marine grade aluminium fascia cover suitable for covering warped, discoloured, or peeling timber fascias.



ALLULINE[™] FASCIA

Aluminium fascia system compatible with an extensive range of PERMALITE[®] gutters.



ROOFING SOLUTIONS COLOUR RANGE

COLORBOND® STEEL FROM LYSAGHT

FOR ROOFING, WALLING,
GUTTERING AND FASCIA

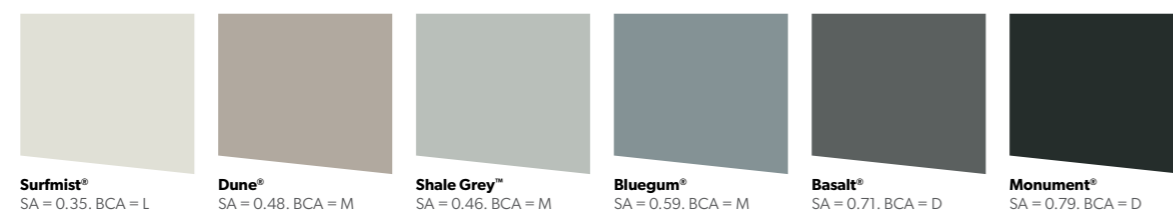
CLASSIC

Designed to weather the unique Australian land, a Classic finish provides a low sheen aesthetic that provides longevity and durability.



MATT

Soft in appearance yet durable and strong, a Matt finish beautifully diffuses light for a textured designer appearance.

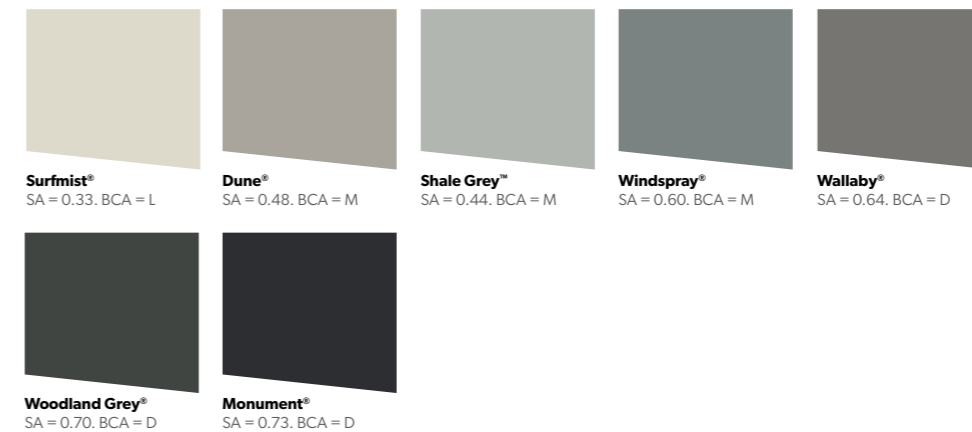


COLORBOND® STEEL FROM LYSAGHT

FOR ROOFING, WALLING,
GUTTERING AND FASCIA

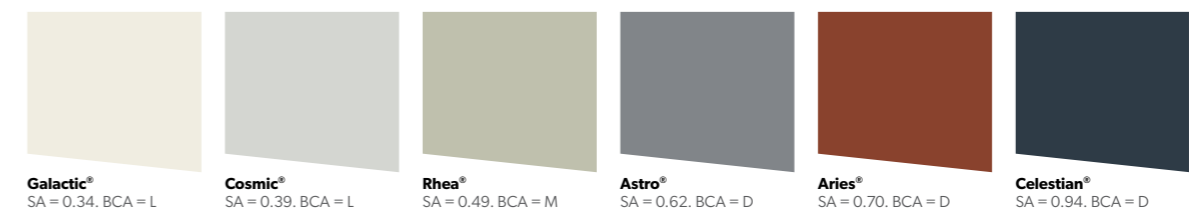
ULTRA

For building in marine and industrial environments, Ultra offers another level of specialist protection and durability.



METALLIC

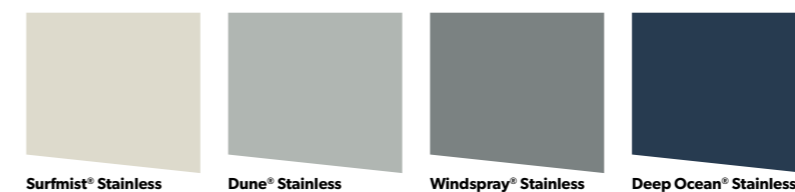
The Metallic finish showcases long lasting lustre for colour brilliance. A simple play of light brings out the striking 'metallic' effect.



SUPERDURA® STAINLESS STEEL FROM LYSAGHT

FOR ROOFING, WALLING,
GUTTERING AND FASCIA

Our ultimate pre-painted steel product for corrosion resistance, suitable for very severe marine environments.



UNPAINTED STEEL

FROM LYSAGHT

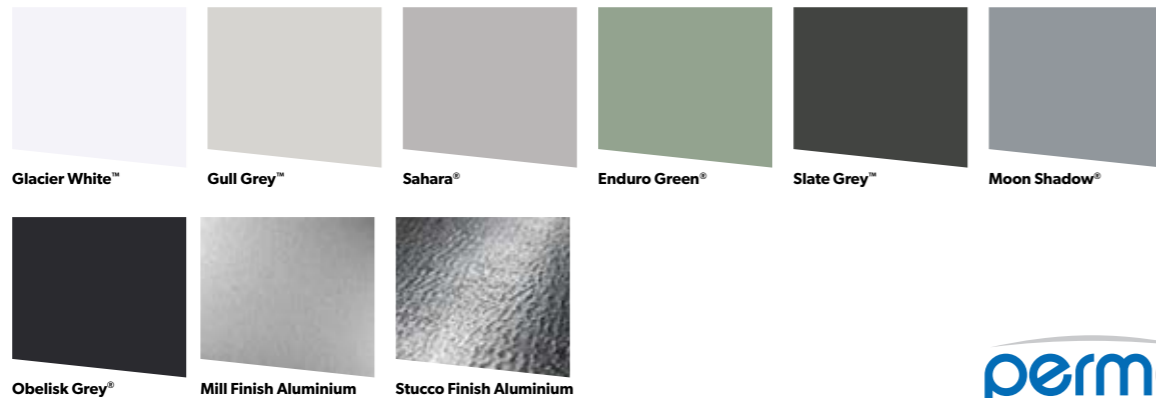
A range of aesthetics from the large, grey spangles of iconic galvanised steel through to modern, petite spangled ZINCALUME® steel cladding.



PERMALITE® ALUMINIUM

FROM LYSAGHT

With a specially developed marine-grade aluminium base PERMALITE® is recommended for aggressive industrial and marine environments.



FOR ROOFING, WALLING,
GUTTERING AND FASCIA

FOR ROOFING, WALLING,
GUTTERING AND FASCIA



A NOTE ON AVAILABILITY

Not all LYSAGHT® products are available in all materials, finishes and colours shown - contact Lysaght, your reseller, builder, or installer for more information.

SA AND BCA CLASSIFICATION EXPLAINED

SA = Solar Absorptance. The classification of colours in the BCA is based on solar absorptance, which is the inverse of solar reflectance, expressed as a ratio between 0 and 1. A SA value of 0 indicates that a roof absorbs none and a value of 1 indicates that a roof absorbs 100% of the incoming solar radiation. Solar absorptance value is not applicable for SUPERDURA® Stainless steel. See the individual colour swatches for the SA value for each product and colour.

BCA = The Building Code of Australia (BCA) has classified roof colour on the basis of their solar absorptance, referred herein as Light (L < 0.40), Medium (M 0.60). See the individual colour swatches for the ratings available for each product and colour. BCA classification is correct at the time of printing but may be subject to change. Check your local state building regulations at the time of your project.

PRODUCT AVAILABILITY

	NSW/ACT	QLD	NT	VIC	TAS	SA	WA
STEEL ROOFING							
LONGLINE 305®	✓	✓	✓	✓	✓	✓	✓
ENSEAM®	✓	✓	✓	✓	✓	✓	✓
SNAPSEAM™	✓	✓	✓	✓	✓	✓	✓
IMPERIAL™	✓	✓	✓	✓	✓	✓	✓
BAROQUE™	✓	✓	✓	✓	✓	✓	✓
CUSTOM ORB®	✓	✓	✓	✓	✓	✓	✓
CUSTOM BLUE ORB®	✓	✓	✓	✓	✓	✓	✓
CUSTOM ORB ACCENT® 21	✓	✓	✓	✓	✓	✓	✓
TRIMDEK®	✓	✓	✓	✓	✓	✓	✓
SPANDEK®	✓	✓	✓	✓	✓	✓	✓
KLIP-LOK®	✓	✓	✓	✓	✓	✓	✓
STEEL GUTTERING, FASCIA AND FINISHING TOUCHES							
QUAD	✓	✓	✓	✓	✓	✓	
QUARTER ROUND							✓
OGEE™				✓	✓	✓	
SHEERLINE®	✓			✓	✓	✓	✓
TRIMLINE®	✓	✓		✓	✓		✓
EMLINE®		✓	✓				
FITFAST®		✓					
COLONIAL®							✓
RANCELINE®							✓
SHORELINE®						✓	
HALF ROUND	✓	✓	✓	✓	✓	✓	✓
FLAT BACK	✓	✓	✓			✓	
NOVALINE® Fascia	✓	✓		✓	✓	✓	
NOVALINE® Fascia Cover	✓					✓	
ALUMINIUM ROOFING							
WAVELINE® 762mm	✓	✓	✓	✓	✓	✓	✓
WAVELINE® 990mm	✓	✓	✓	✓	✓	✓	✓
ALSPAN®	✓	✓	✓	✓	✓	✓	✓
LT7®	✓	✓	✓	✓	✓	✓	✓
V-RIB®	✓	✓	✓	✓	✓	✓	✓
ALUMINIUM GUTTERING, FASCIA & FINISHING TOUCHES							
QUAD	✓	✓	✓	✓	✓	✓	✓
HALF ROUND	✓	✓	✓	✓	✓	✓	✓
M STYLE	✓	✓	✓	✓	✓	✓	✓
ALLULINE™ Fascia	✓	✓	✓	✓	✓	✓	✓
ALLULINE™ Fascia Cover	✓	✓	✓	✓	✓	✓	✓

WHY LYSAGHT ONLY USES AUSTRALIAN COLORBOND® STEEL

COLORBOND® steel has been made in Australia since 1966 by

BlueScope - Australia's largest steelmaker and a global leader in the manufacture of pre-painted steel.

Decades of Australian research and development have gone into creating a range of technologies that give genuine COLORBOND® steel its long lasting performance in Australia's harsh climate.

Renowned for its quality finish and durability, and backed by a material warranty¹ from BlueScope, COLORBOND® steel is one of Australia's most trusted building materials.

Colorbond®

SUSTAINABILITY

At Lysaght, we manufacture our LYSAGHT® steel building products range from 100% Australian-made metallic coated and pre-painted steel. These ingredient steel products are durable and resilient to Australia's harsh climate and their long life helps conserve resources and energy that may otherwise be invested in products with a shorter life span.

All LYSAGHT® steel building products contain recycled content and the steel in LYSAGHT® products is 100% recyclable. In some cases it can be reused without reprocessing, again saving on energy and resource use.

THERMAL EFFICIENCY

Many people know that the colour of your roof can make a difference to your cooling bill and no less than five of the colours in the COLORBOND® steel range qualify as solar reflective (light coloured) roofing under the Green Star Communities tool. But there's another way that COLORBOND® steel can help make your home more energy efficient. Every colour (except Night Sky®) in the standard COLORBOND® steel range features Thermatech® solar reflectance technology. Thermatech® technology is designed to reflect more of the sun's heat on hot, sunny days, which can mean less dependence on air-conditioning, plus reduced heat stress for your roof. The LYSAGHT® product range is available in the full range of COLORBOND® steel colours.

CORSTRIP® PROTECTIVE PLASTIC FILM

Some LYSAGHT® products shaped from COLORBOND® steel are delivered with a plastic film called CORSTRIP® to protect the product from damage during transport and installation. CORSTRIP® is made from 100% low-density polyethylene (LDPE) and is suitable for recycling.



Scan the QR code to access more design inspiration and product information on [lysaght.com](https://www.lysaght.com)

LYSAGHT.COM

FOR SALES ENQUIRIES CALL 13 30 38

FOR TECHNICAL ENQUIRIES CALL 1800 641 417

PRODUCT DESCRIPTIONS

All descriptions, specifications, illustrations, drawings, data, dimensions, and weights contained in this publication and websites containing information from Lysaght are approximations only. They are intended by Lysaght to be a general description for information and identification purposes and do not create a sale by description. Lysaght reserves the right at any time to:

- Supply goods with such minor modifications from its drawings and specifications as it sees fit, and
- Alter specifications shown in its publications and websites to reflect changes made after the date of publication.

Not all LYSAGHT® products are available in all materials, finishes and colours shown. Material, finish and colour availability is indicative only and is subject to change without notice – contact Lysaght, your reseller, builder, or installer for more information.

The colour swatches shown have been reproduced to represent actual product colours as accurately as possible. However, we recommend checking your chosen colour against an actual sample of the product before purchasing, as varying light conditions and limitations of the printing process may affect colour tones and finishes.

¹Warranties are subject to exclusions, application and eligibility criteria. For full terms and conditions and to determine the eligibility of your product for the warranty visit [bluescopesteel.com.au/warranties](https://www.bluescopesteel.com.au/warranties) or contact BlueScope on 1800 800 789. Warranties provided by BlueScope do not affect consumer rights under the Australian Consumer Law.

COLORBOND®, SUPERDURA®, ZINCALUME®, PERMALITE®, LYSAGHT® and ® colour and product names are registered trademarks of BlueScope Steel Limited and ™ colour and product names are trademarks of BlueScope Steel Limited.

© 2026 BlueScope Steel Limited. ABN 16 000 011 058. All rights reserved. BLY0243_C – 06/26

INSPIRATION TO BUILD BETTER

LYSAGHT